

- 1 Series name
- 2 Single output
- 3 Output wattage
- 4 Input voltage
- 5 Output voltage

TRC Electronics, Inc.

Authorized Stocking Distributor

Tel: 973.779.8282

Fax: 973.779.1490

Contact TRC for pricing, stock, and technical assistance.

www.trcelectronics.com

MODEL	DBS400B03	DBS400B05	DBS400B07	DBS400B12	DBS400B15	DBS400B18	DBS400B24	DBS400B28
MAX OUTPUT WATTAGE[W]	264	400	405	408	405	396	408	406
DC OUTPUT	3.3V 80A	5V 80A	7.5V 54A	12V 34A	15V 27A	18V 22A	24V 17A	28V 14.5A

SPECIFICATIONS

	MODEL	DBS400B03	DBS400B05	DBS400B07	DBS400B12	DBS400B15	DBS400B18	DBS400B24	DBS400B28	
INPUT	VOLTAGE[V]	DC200 - 400								
	CURRENT[A]	*1 1.19typ	1.72typ	1.68typ	1.67typ	1.66typ	1.61typ	1.67typ	1.63typ	
	EFFICIENCY[%]	*1 79typ	83typ	86typ	87typ	87typ	89typ	87typ	88typ	
OUTPUT	VOLTAGE[V]	3.3	5	7.5	12	15	18	24	28	
	CURRENT[A]	80	80	54	34	27	22	17	14.5	
	LINE REGULATION[mV]	16max	20max	30max	40max	60max	60max	95max	95max	
	LOAD REGULATION[mV]	30max	40max	60max	100max	150max	150max	190max	190max	
	RIPPLE[mVp-p]	0 to +85°C *2	80max	80max	100max	120max	120max	120max	120max	120max
		-20 - 0°C *2	140max	140max	150max	160max	160max	160max	160max	160max
	RIPPLE NOISE[mVp-p]	0 to +85°C *2	100max	100max	140max	150max	150max	150max	150max	150max
		-20 - 0°C *2	150max	150max	160max	180max	180max	180max	180max	180max
	TEMPERATURE REGULATION[mV]	0 to +65°C	35max	50max	75max	120max	180max	180max	280max	280max
		-20 to +85°C	60max	85max	130max	200max	310max	310max	480max	480max
DRIFT[mV]	*3	16max	20max	30max	40max	60max	60max	90max	90max	
START-UP TIME[ms]	200max (DCIN 280V, Io=100%)									
OUTPUT VOLTAGE ADJUSTMENT RANGE	Fixed (TRM pin open), 60 - 110% adjustable by external VR or external voltage									
OUTPUT VOLTAGE SETTING[V]	3.25 - 3.45	4.90 - 5.20	7.25 - 7.85	11.60 - 12.60	14.40 - 15.60	17.28 - 18.72	23.04 - 24.96	26.88 - 29.12		
OVERCURRENT PROTECTION	Works over 105% of rating and recovers automatically									
OVERVOLTAGE PROTECTION	4.00 - 5.50V	5.75 - 7.00V	8.60 - 10.50V	13.80 - 16.80V	17.25 - 21.00V	20.70 - 25.20V	27.60 - 33.60V	32.20 - 39.20V		
REMOTE SENSING	Provided									
REMOTE ON/OFF	Provided (On both side of input and output)									
ISOLATION	INPUT-OUTPUT	AC3,000V 1minute, Cutoff current = 10mA, DC500V 50MW min (20t 15C)								
	INPUT-FG	AC2,000V 1minute, Cutoff current = 10mA, DC500V 50MW min (20t 15C)								
	OUTPUT-FG	AC500V 1minute, Cutoff current = 100mA, DC500V 50MW min (20t 15C)								
	OUTPUT-RC2,RC3	AC100V 1minute, Cutoff current = 100mA, DC100V 10MW min (20t 15C)								
ENVIRONMENT	OPERATING TEMP., HUMID. AND ALTITUDE	-20 to +85°C (On aluminum base plate), 20 - 95%RH (Non condensing) (Refer to DERATING CURVE), 3,000m (10,000feet) max								
	STORAGE TEMP., HUMID. AND ALTITUDE	-40 to +85°C, 20 - 95%RH (Non condensing), 9,000m (30,000feet) max								
	VIBRATION	10 - 55Hz, 49.0m/s ² (5G), 3minutes period, 60minutes each along X, Y and Z axis								
	IMPACT	196.1m/s ² (20G), 11ms once each along X, Y and Z axis								
SAFETY	AGENCY APPROVALS	UL1950, C-UL, EN60950, VDE0160 Complies with DEN-AN and IEC60950								
OTHERS	CASE SIZE/WEIGHT	61×12.7×116.8mm (W×H×D) / 180g max								
	COOLING METHOD	Conduction cooling (e.g. heat radiation from the aluminum base plate to the attached heat sink)								

* 1 At rated input(DC280V) and rated load.

* 2 Ripple and ripple noise is measured by using measuring board Measured by 20MHz oscilloscope or Ripple-Noise meter (Equivalent to KEISOKU-GIKEN:RM101).

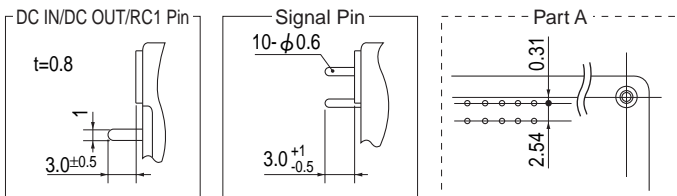
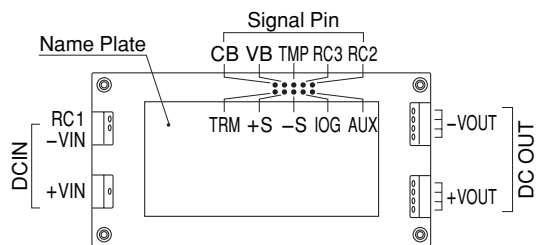
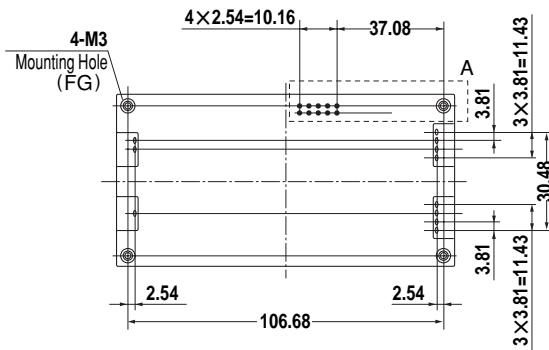
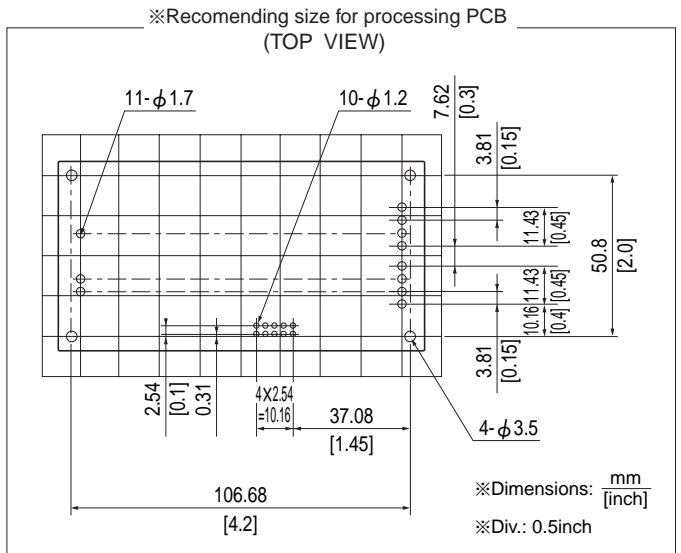
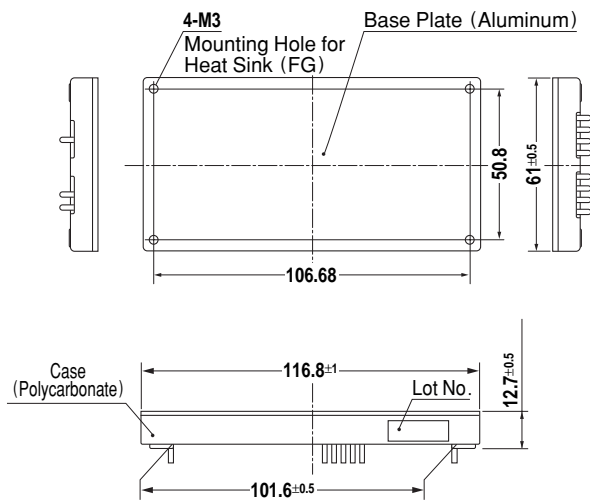
* 3 Drift is the change in DC output for an eight hour period at

with the recommended capacitor Co & the film capacitor Cf 0.1

lent to KEISOKU-GIKEN:RM101).

tput.

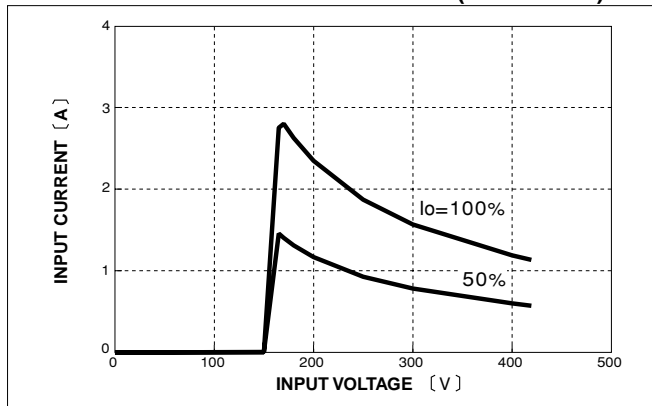
External view



- ※Weight: 180g or less
- ※Tolerance: ±0.3
- ※Case: PBT
- ※Base Plate: Aluminum
- ※Dimensions in mm.
- ※Mounting hole screwing torque: 0.4N·m(5.0kgf·cm)

Performance data

INPUT CURRENT CHARACTERISTICS (DBS400B12)



EFFICIENCY CHARACTERISTICS

