

ZS10



TRCELECTRONICS, INC.

"Authorized Distributor"

135 Pasadena Ave.

Lodi, NJ 07644 USA

Tel: (973) 779-8282

Fax: (973) 779-1490

sales@trcelectronics.com

http://www.trcelectronics.com

Contact TRC for pricing, availability, and technical assistance.

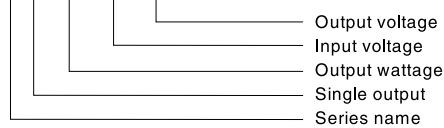


Z Series DC-DC converter designed for small size and high reliability

- Isolated between input- output
- Built- in overcurrent protection circuit
- Small and compact size
- Five- year warranty

ORDERING INFORMATION

ZS100512



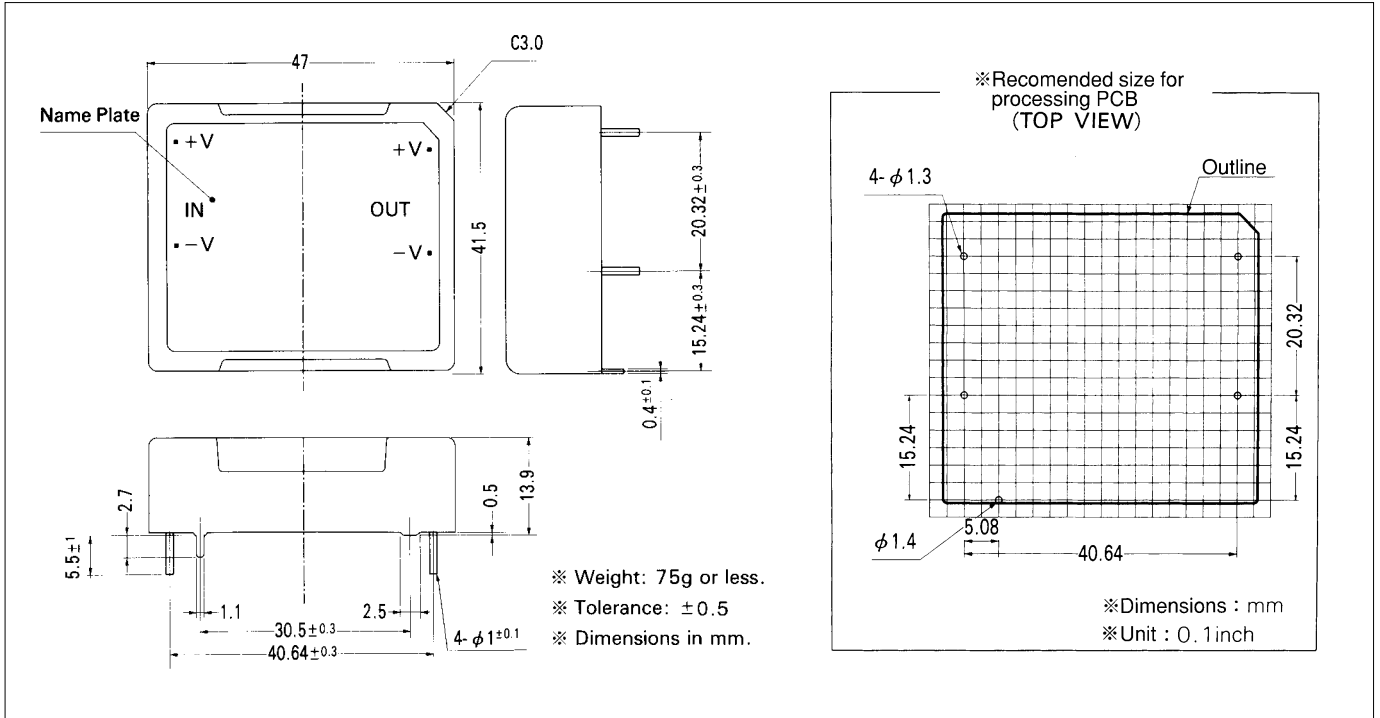
SPECIFICATIONS

MODEL		ZS100505	ZS100512	ZS100515	ZS101205	ZS101212	ZS101215	ZS102405	ZS102412	ZS102415	ZS104805	ZS104812	ZS104815
INPUT	VOLTAGE [V]	5 (4.5~6.0)			12 (10~15)			24 (20~30)			48 (35~63)		
	EFFICIENCY [%]	72 typ			80 typ			80 typ			80 typ		
OUTPUT	VOLTAGE [V]	5	12	15	5	12	15	5	12	15	5	12	15
	CURRENT [A]	1.6	0.7	0.6	2.0	0.9	0.7	2.0	0.9	0.7	2.0	0.9	0.7
	LINE REGULATION [mV]	25max	60max	75max	25max	60max	75max	25max	60max	75max	25max	60max	75max
	LOAD REGULATION [mV]	50max	120max	150max	50max	120max	150max	50max	120max	150max	50max	120max	150max
	RIPPLE [mVp-p]	100max	120max		100max	120max		100max	120max		100max	120max	
	RIPPLE NOISE [mVp-p]	120max			120max			120max			120max		
	TEMPERATURE COEFFICIENT 0~+55°C [mV]	50max	120max	150max	50max	120max	150max	50max	120max	150max	50max	120max	150max
OUTPUT VOLTAGE SET(FIXED) [%]	±5 max(Rated input/ output, Ta=25 ^a)												
PROTECTION CIRCUIT	OVERCURRENT PROTECTION	Works over 105% of rating and recovers automatically											
ISOLATION	INPUT,OUTPUT,CASE	AC500V, 1 minute, Cutoff current=10mA, DC500V, 50M ² min.(At Room Temperature)											
ENVIRONMENT	OPERATING TEMP. AND HUMID.	- 10~+70 ^a , 20~90%RH(Non condensing) (Refer to DERATING CURVE)											
	STORAGE TEMP. AND HUMID.	- 20~+75 ^a , 20~90%RH(Non condensing)											
	VIBRATION	10~55Hz, 10G, 3 minutes period, 30 minutes along X, Y and Z axis											
	IMPACT	50G, 11 mS, once each X, Y and Z axis											

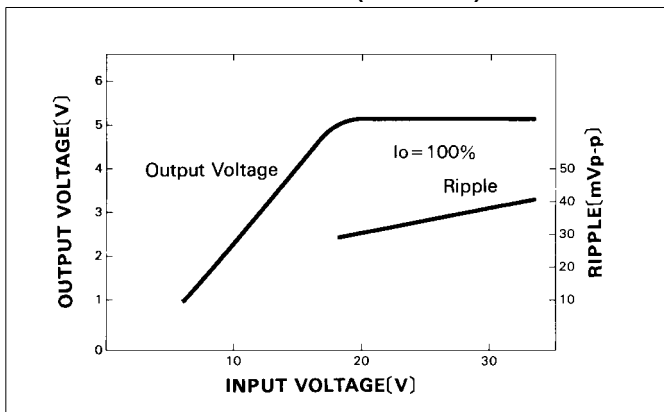
¶ Parallel operation with other model is not possible.

MODEL	ZS10			ZS10			ZS10					
	0505	1205	2405	4805	0512	1212	2412	4812	0515	1215	2415	4815
MAX OUTPUT WATTAGE	8W	10.0W	8.4W	10.8W	9.0W	10.5W						
DC OUTPUT VOLTAGE	5V			12V			15V					
DC OUTPUT CURRENT	1.6A	2.0A	0.7A	0.9A	0.6A	0.7A						

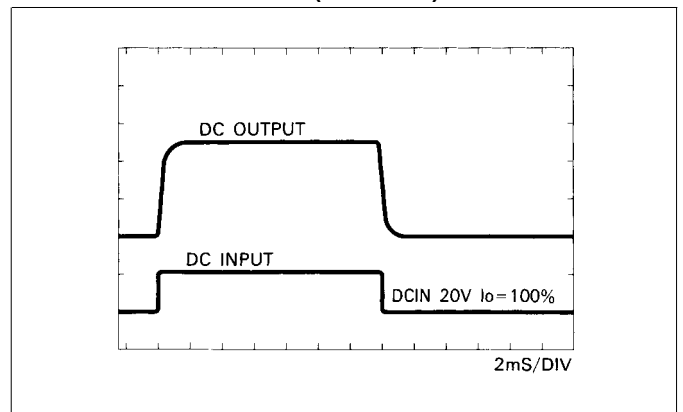
EXTERNAL VIEW



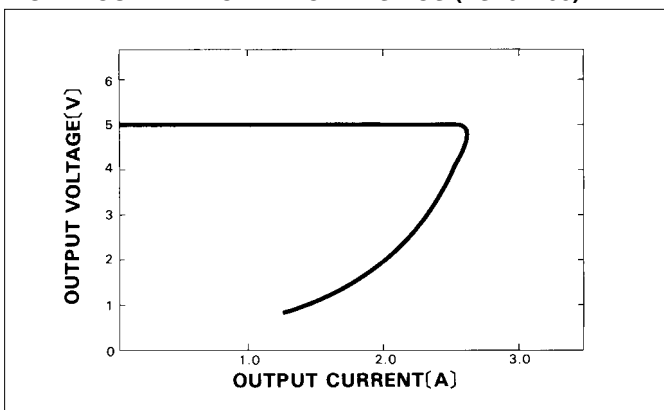
STATIC CHARACTERISTICS (ZS102405)



RISE TIME & FALL TIME (ZS102405)



OVERCURRENT CHARACTERISTICS (ZS102405)



DERATING CURVE

