

Three Phase Rectifier Bridge

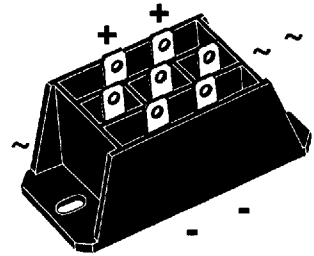
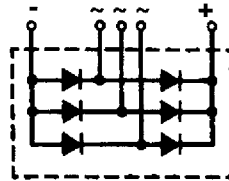
VUO 60

$V_{RRM} = 800 - 1800 \text{ V}$

$I_{dAV} = 58 \text{ A}$

V_{RSM}	V_{RRM}	Type
V	V	
900	800	VUO 60-08NO3
1300	1200	VUO 60-12NO3
1500	1400	VUO 60-14NO3
1700	1600	VUO 60-16NO3
1900	1800	VUO 60-18NO3*

* delivery time on request



Symbol	Test Conditions	Maximum Ratings
I_{dAV} ①	$T_C = 85^\circ\text{C}$, module	58 A
I_{dAVM} ①	module	75 A
I_{FSM}	$T_{VJ} = 45^\circ\text{C}$; $V_R = 0$	$t = 10 \text{ ms}$ (50 Hz), sine $t = 8.3 \text{ ms}$ (60 Hz), sine
	$T_{VJ} = T_{VJM}$ $V_R = 0$	$t = 10 \text{ ms}$ (50 Hz), sine $t = 8.3 \text{ ms}$ (60 Hz), sine
$\int i^2 dt$	$T_{VJ} = 45^\circ\text{C}$ $V_R = 0$	$t = 10 \text{ ms}$ (50 Hz), sine $t = 8.3 \text{ ms}$ (60 Hz), sine
	$T_{VJ} = T_{VJM}$ $V_R = 0$	$t = 10 \text{ ms}$ (50 Hz), sine $t = 8.3 \text{ ms}$ (60 Hz), sine
T_{VJ}		-40...+125 °C
T_{VJM}		125 °C
T_{stg}		-40...+125 °C
V_{ISOL}	50/60 Hz, RMS	$t = 1 \text{ min}$
	$I_{ISOL} \leq 1 \text{ mA}$	$t = 1 \text{ s}$
M_d	Mounting torque (M5) (10-32 UNF)	3000 V~
		3600 V~
Weight	typ.	2-2.5 Nm
		18-22 lb.in.
		50 g

Features

- Package with DCB ceramic base plate
- Isolation voltage 3600 V~
- Planar passivated chips
- Blocking voltage up to 1800 V
- Low forward voltage drop
- 1/4" fast-on terminals
- UL registered E 72873

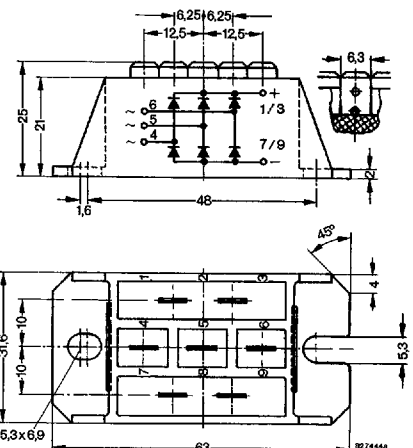
Applications

- Supplies for DC power equipment
- Input rectifiers for PWM inverter
- Battery DC power supplies
- Rectifier for DC motors field current

Advantages

- Easy to mount with two screws
- Space and weight savings
- Improved temperature and power cycling

Dimensions in mm (1 mm = 0.0394")



Symbol	Test Conditions	Characteristic Values
I_R	$V_R = V_{RRM}$; $T_{VJ} = 25^\circ\text{C}$	0.3 mA
	$V_R = V_{RRM}$; $T_{VJ} = T_{VJM}$	5 mA
V_F	$I_F = 150 \text{ A}$; $T_{VJ} = 25^\circ\text{C}$	1.9 V
V_{T0}	For power-loss calculations only	0.9 V
r_T	$T_{VJ} = T_{VJM}$	6.0 mΩ
R_{thJC}	per diode, DC current	1.62 K/W
	per module	0.27 K/W
R_{thJK}	per diode, DC current	2.22 K/W
	per module	0.37 K/W
d_s	Creeping distance on surface	10 mm
d_A	Creepage distance in air	9.4 mm
a	Max. allowable acceleration	50 m/s ²

Data according to DIN/IEC 747 and refer to a single diode unless otherwise stated.

① for resistive load at bridge output

IXYS reserves the right to change limits, test conditions and dimensions.

Use output terminals in parallel connection!