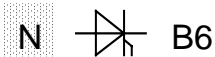


Technische Information / Technical Information

eupec

Netz-Thyristor-Modul
Phase Control Thyristor Module **TT B6C 135 N 12...18¹⁾ (ISOPACK)**



Elektrische Eigenschaften / Electrical properties

Höchstzulässige Werte / Maximum rated values

Periodische Vorwärts- und Rückwärts-Spitzensperrspannung repetitive peak forward off-state and reverse voltages	$T_{vj} = -40^{\circ}\text{C} \dots T_{vj\text{max}}$	$V_{\text{DRM}}, V_{\text{RRM}}$	1200, 1400 1600, 1800	V V
Vorwärts-Stoßspitzensperrspannung non-repetitive peak forward off-state voltage	$T_{vj} = -40^{\circ}\text{C} \dots T_{vj\text{max}}$	V_{DSM}	1200, 1400 1600, 1800	V V
Rückwärts-Stoßspitzensperrspannung non-repetitive peak reverse voltage	$T_{vj} = +25^{\circ}\text{C} \dots T_{vj\text{max}}$	V_{RSM}	1300, 1500 1700, 1900	V V
Durchlaßstrom-Grenzeffektivwert (pro Element) RMS on-state current (per chip)		I_{TRMSM}	100	A
Ausgangsstrom output current	$T_{\text{C}} = 85^{\circ}\text{C}$ $T_{\text{C}} = 67^{\circ}\text{C}$ $T_{\text{A}} = 45^{\circ}\text{C}, \text{KM } 11$ $T_{\text{A}} = 45^{\circ}\text{C}, \text{KM } 33$ $T_{\text{A}} = 35^{\circ}\text{C}, \text{KM } 14 (V_{\text{L}} = 45\text{/s})$ $T_{\text{A}} = 35^{\circ}\text{C}, \text{KM } 33 (V_{\text{L}} = 90\text{/s})$	I_{d}	135 173 49 69 119 139	A A A A A A
Stoßstrom-Grenzwert surge current	$T_{vj} = 25^{\circ}\text{C}, t_p = 10\text{ms}$ $T_{vj} = T_{vj\text{max}}, t_p = 10\text{ms}$	I_{TSM}	1000 870	A A
Grenzlastintegral I^2t -value	$T_{vj} = 25^{\circ}\text{C}, t_p = 10\text{ms}$ $T_{vj} = T_{vj\text{max}}, t_p = 10\text{ms}$	I^2t	5000 3780	A^2s A^2s
Kritische Stromsteilheit critical rate of rise of on-state current	DIN IEC 747-6 $f = 50\text{Hz}, i_{\text{GM}} = 0,6\text{A}, di_{\text{d}}/dt = 0,6\text{A}/\mu\text{s}$	$(di/dt)_{\text{cr}}$	120	$\text{A}/\mu\text{s}$
Kritische Spannungssteilheit critical rate of rise of off-state voltage	$T_{vj} = T_{vj\text{max}}, V_{\text{D}} = 0,67 V_{\text{DRM}}$ 8. Kennbuchstabe / 8th letter F	$(dv/dt)_{\text{cr}}$	1000	$\text{V}/\mu\text{s}$

Charakteristische Werte / Characteristic values

Durchlaßspannung on-state voltage	$T_{vj} = T_{vj\text{max}}, I_{\text{T}} = 150\text{A}$	V_{T}	max. 1,81	V
Schleusenspannung threshold voltage	$T_{vj} = T_{vj\text{max}}$	$V_{(\text{TO})}$	0,95	V
Ersatzwiderstand slope resistance	$T_{vj} = T_{vj\text{max}}$	r_{T}	4,3	$\text{m}\Omega$
Zündstrom gate trigger current	$T_{vj} = 25^{\circ}\text{C}, V_{\text{D}} = 6\text{V}$	I_{GT}	max. 150	mA
Zündspannung gate trigger voltage	$T_{vj} = 25^{\circ}\text{C}, V_{\text{D}} = 6\text{V}$	V_{GT}	max. 2,5	V
Nicht zündender Steuerstrom gate non-trigger current	$T_{vj} = T_{vj\text{max}}, V_{\text{D}} = 6\text{V}$ $T_{vj} = T_{vj\text{max}}, V_{\text{D}} = 0,5 V_{\text{DRM}}$	I_{GD}	max. 5,0 max. 2,5	mA mA
Nicht zündende Steuerspannung gate non-trigger voltage	$T_{vj} = T_{vj\text{max}}, V_{\text{D}} = 0,5 V_{\text{DRM}}$	V_{GD}	max. 0,2	V
Haltestrom holding current	$T_{vj} = 25^{\circ}\text{C}, V_{\text{D}} = 6\text{V}, R_{\text{A}} = 5\Omega$	I_{H}	max. 200	mA
Einraststrom latching current	$T_{vj} = 25^{\circ}\text{C}, V_{\text{D}} = 6\text{V}, R_{\text{GK}} \geq 20\Omega$ $i_{\text{GM}} = 0,6\text{A}, di_{\text{d}}/dt = 0,6\text{A}/\mu\text{s}, t_{\text{g}} = 10\mu\text{s}$	I_{L}	max. 600	mA
Vorwärts- und Rückwärts-Sperrstrom forward off-state and reverse currents	$T_{vj} = T_{vj\text{max}}$ $V_{\text{D}} = V_{\text{DRM}}, V_{\text{R}} = V_{\text{RRM}}$	$i_{\text{D}}, i_{\text{R}}$	max. 10	mA

1) gilt auch für / also valid for TD B6HK 135 N 12...18

Technische Information / Technical Information

eupec

Netz-Thyristor-Modul
Phase Control Thyristor Module **TT B6C 135 N 12...18 (ISOPACK)**

N  B6

Elektrische Eigenschaften / Electrical properties

Charakteristische Werte / Characteristic values

Zündverzögerung gate controlled delay time	DIN IEC 747-6 $T_{vj} = 25^{\circ}\text{C}$, $i_{GM} = 0,6\text{A}$, $di_G/dt = 0,6\text{A}/\mu\text{s}$	t_{gd}	max. 1,2	μs
Freierweidezeit circuit commutated turn-off time	$T_{vj} = T_{vj\text{max}}$, $i_{TM} = 50\text{A}$ $V_{RM} = 100\text{V}$, $V_{DM} = 0,67 V_{DRM}$ $d_{vD}/dt = 20\text{V}/\mu\text{s}$, $-di_T/dt = 10\text{A}/\mu\text{s}$ 7. Kennbuchstabe / 7th letter O	t_q	typ. 190	μs
Isolations-Prüfspannung insulation test voltage	RMS, $f = 50\text{Hz}$, $t = 1\text{min}$ RMS, $f = 50\text{Hz}$, $t = 1\text{sec}$	V_{ISOL}	3,0 3,6	kV kV

Thermische Eigenschaften / Thermal properties

Innere Wärmewiderstand thermal resistance, junction to case	pro Modul / per module, $\Theta = 120^{\circ}\text{rect}$ pro Element / per chip, $\Theta = 120^{\circ}\text{rect}$ pro Modul / per module, DC pro Element / per chip, DC	R_{thJC}	max. 0,098 max. 0,590 max. 0,078 max. 0,470	$^{\circ}\text{C}/\text{W}$ $^{\circ}\text{C}/\text{W}$ $^{\circ}\text{C}/\text{W}$ $^{\circ}\text{C}/\text{W}$
Übergangs-Wärmewiderstand thermal resistance, case to heatsink	pro Modul / per module pro Element / per chip	R_{thCK}	max. 0,033 max. 0,200	$^{\circ}\text{C}/\text{W}$ $^{\circ}\text{C}/\text{W}$
Höchstzulässige Sperrschichttemperatur max. junction temperature		$T_{vj\text{max}}$	125	$^{\circ}\text{C}$
Betriebstemperatur operating temperature		$T_{c\text{op}}$	- 40...+125	$^{\circ}\text{C}$
Lagertemperatur storage temperature		T_{stg}	- 40...+130	$^{\circ}\text{C}$

Mechanische Eigenschaften / Mechanical properties

Gehäuse, siehe Anlage case, see appendix			Seite 3 page 3	
Si-Elemente mit Lötkontakt, glaspassiviert Si-pellets with soldered contact, glass-passivated				
Innere Isolation internal insulation			Al_2O_3	
Anzugsdrehmoment für mechanische Befestigung mounting torque	Toleranz / tolerance $\pm 15\%$	M1	6	Nm
Anzugsdrehmoment für elektrische Anschlüsse terminal connection torque	Toleranz / tolerance +5% / -10%	M2	6	Nm
Gewicht weight		G	typ. 300	g
Kriechstrecke creepage distance			12,5	mm
Schwingfestigkeit vibration resistance	$f = 50\text{Hz}$		50	m/s^2

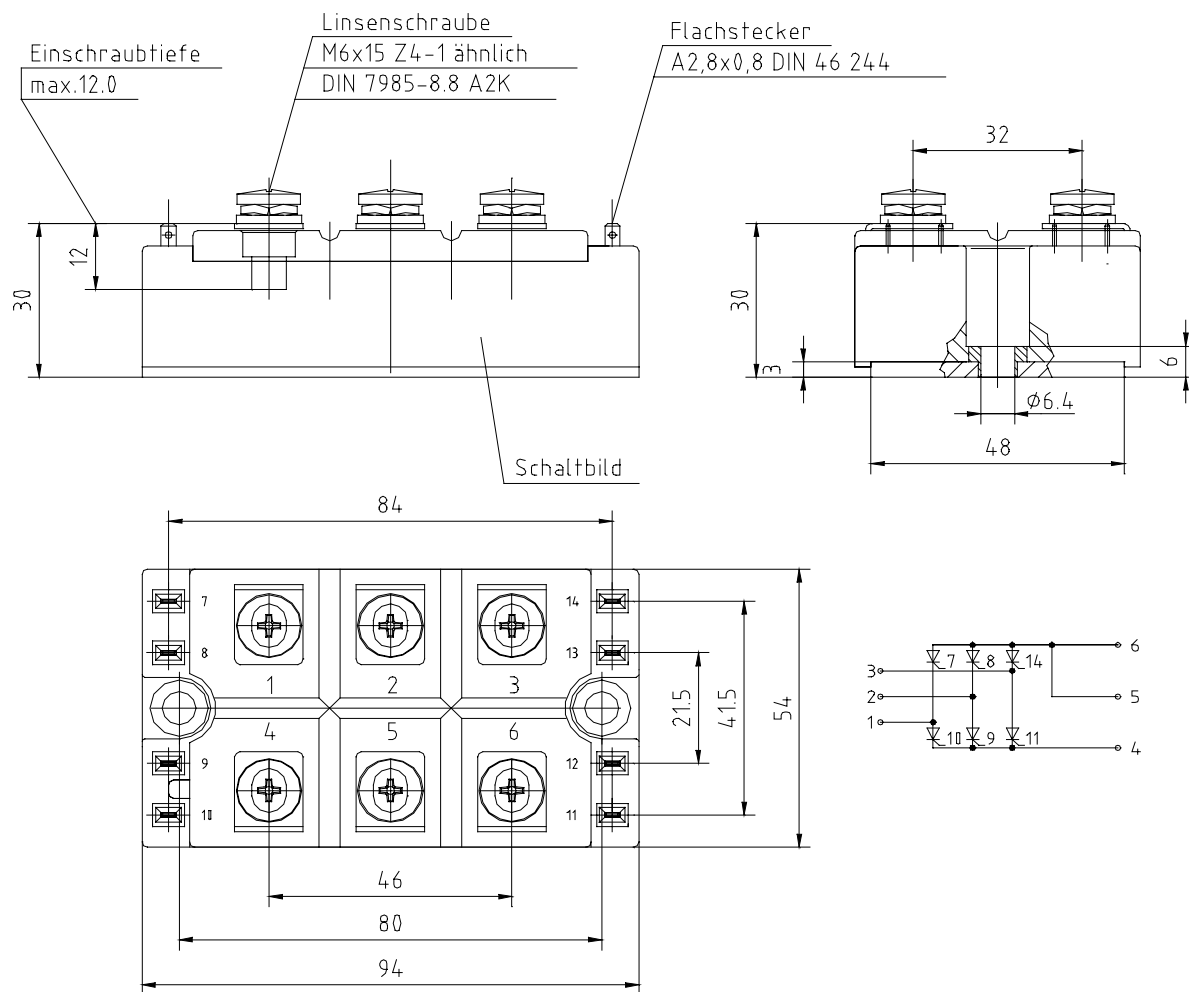
Kühlkörper / heatsinks : KM 11; KM 14; KM 17; KM 33

Mit dieser technischen Information werden Halbleiterbauelemente spezifiziert, jedoch keine Eigenschaften zugesichert. Sie gilt in Verbindung mit den zugehörigen Technischen Erläuterungen. / This technical information specifies semiconductor devices but promises no characteristics. It is valid in combination with the belonging technical notes.

Netz-Thyristor-Modul
Phase Control Thyristor Module

TT B6C 135 N 12...18 (ISOPACK)

N B6

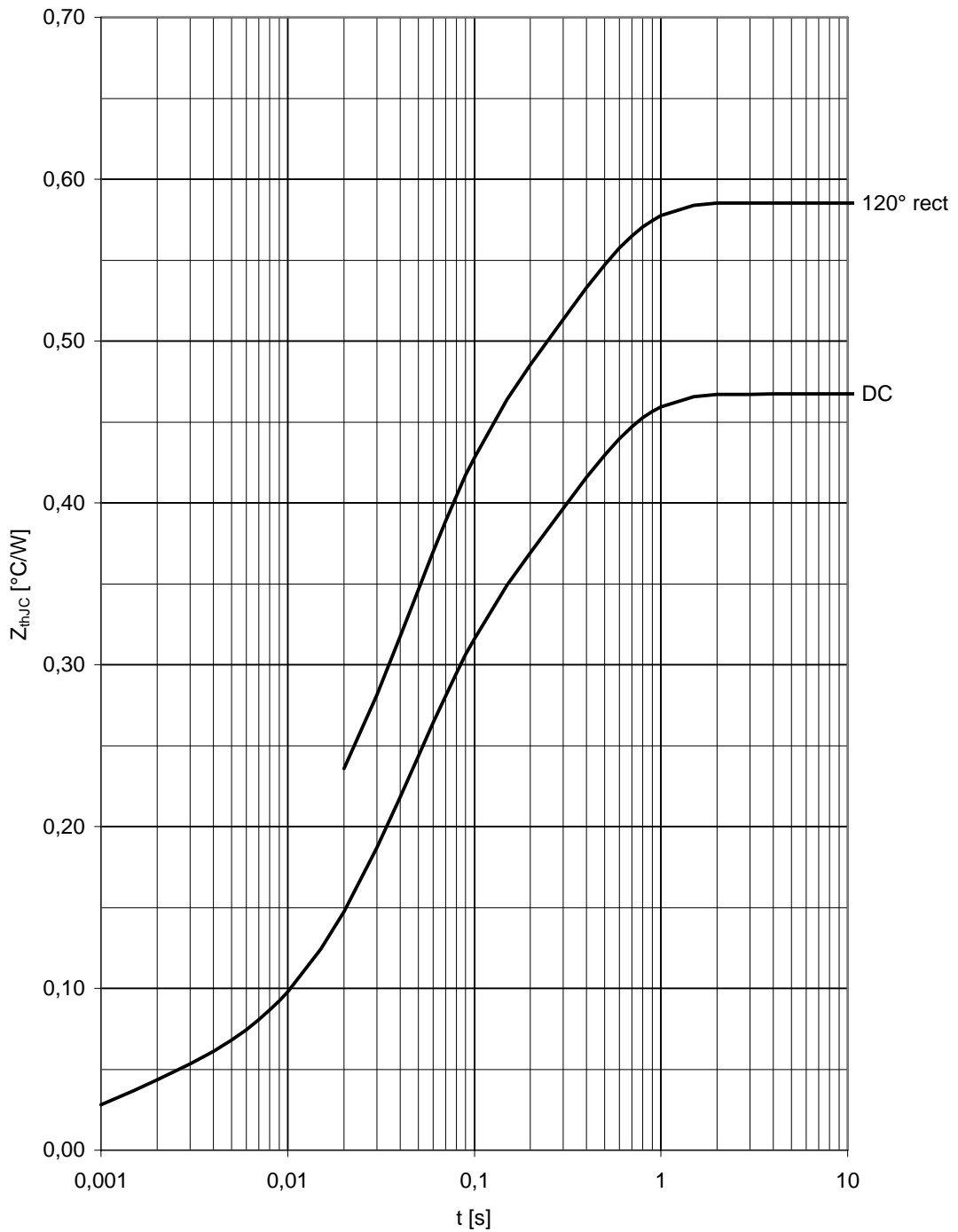


Analytische Elemente des transienten Wärmewiderstandes Z_{thJC} für DC

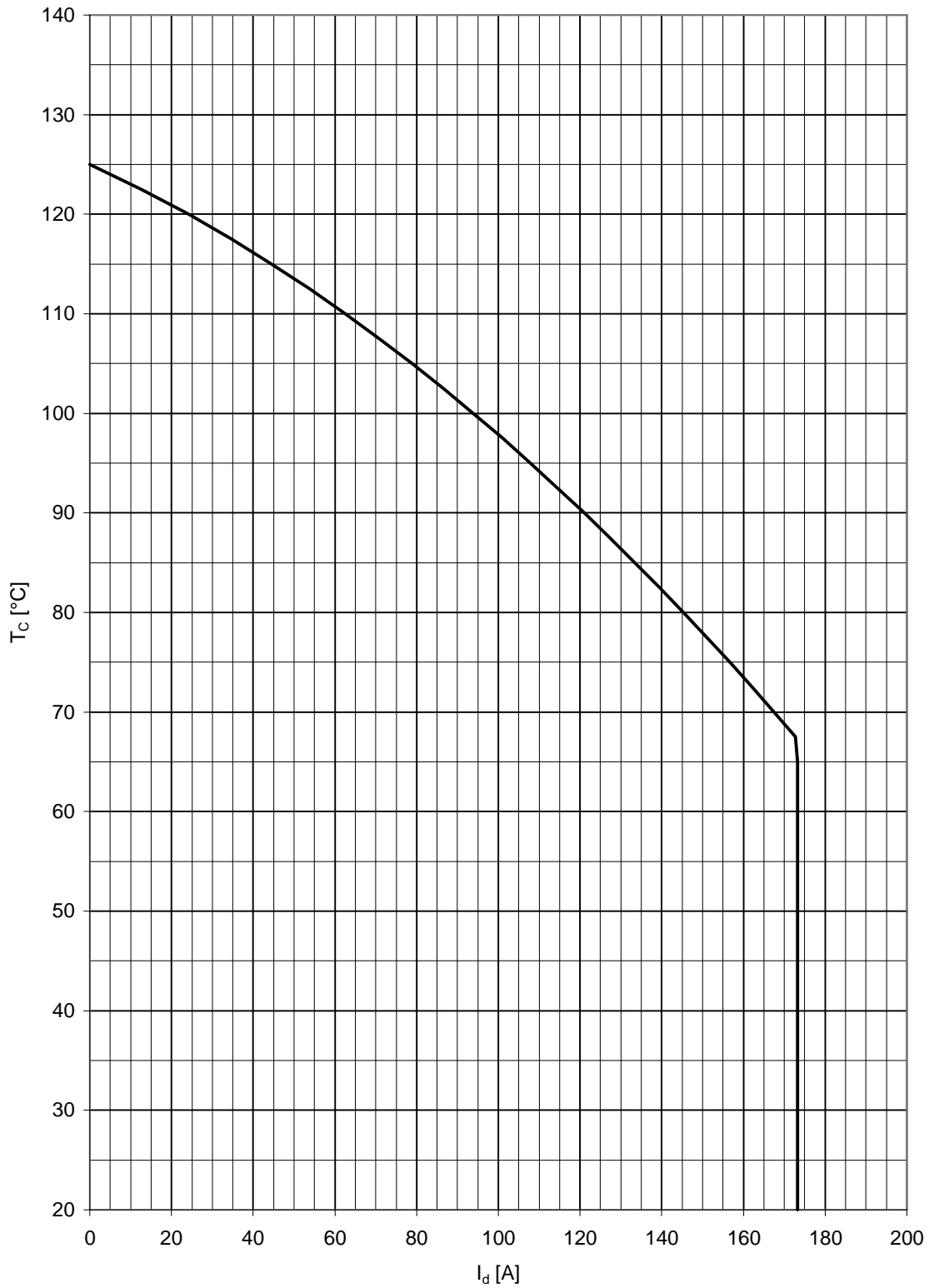
Analytical elements of transient thermal impedance Z_{thJC} for DC

Pos. n	1	2	3	4	5	6	7
$R_{thn} [^{\circ}C / W]$	0,18100	0,25100	0,03520				
$\tau_n [s]$	0,31800	0,03870	0,00109				

Analytische Funktion:
$$Z_{thJC} = \sum_{n=1}^{n_{max}} R_{thn} \left(1 - e^{-\frac{t}{\tau_n}} \right)$$



Transienter innerer Wärmewiderstand je Zweig / Transient thermal impedance per arm, $Z_{thjC} = f(t)$
 Parameter: Stromflußwinkel / Current conduction angle θ



Höchstzulässige Gehäusetemperatur / Maximum allowable case temperature $T_c = f(I_d)$

Terms & Conditions of Usage

Attention

The present product data is exclusively subscribed to technically experienced staff. This Data Sheet is describing the specification of the products for which a warranty is granted exclusively pursuant the terms and conditions of the supply agreement. There will be no guarantee of any kind for the product and its specifications. Changes to the Data Sheet are reserved.

You and your technical departments will have to evaluate the suitability of the product for the intended application and the completeness of the product data with respect to such application. Should you require product information in excess of the data given in the Data Sheet, please contact your local Sales Office via "www.eupec.com / sales & contact".

Warning

Due to technical requirements the products may contain dangerous substances. For information on the types in question please contact your local Sales Office via "www.eupec.com / sales & contact".