

**TURBOSWITCH™ "A". ULTRA-FAST HIGH VOLTAGE DIODE**
**MAIN PRODUCTS CHARACTERISTICS**

$I_{F(AV)}$	<b>5A</b>
$V_{RRM}$	<b>1200V</b>
$t_{rr}$ (typ)	<b>45ns</b>
$V_F$ (max)	<b>2.0V</b>

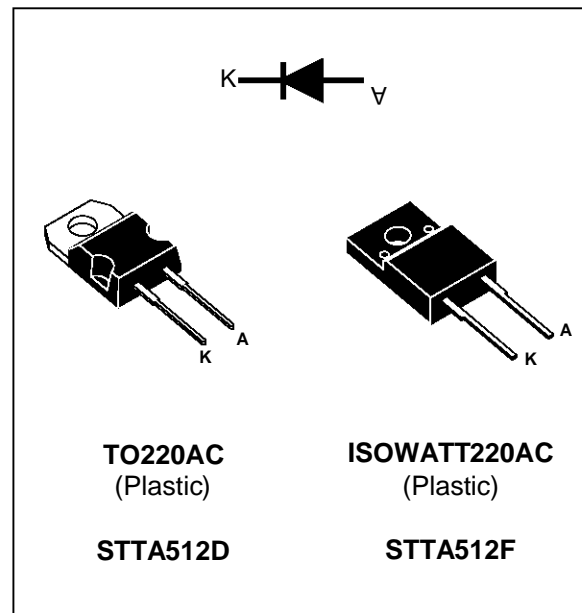
**FEATURES AND BENEFITS**

- ULTRA-FAST, SOFT AND NOISE-FREE RECOVERY.
- VERY LOW OVERALL POWER LOSSES IN BOTH THE DIODE AND THE COMPANION TRANSISTOR.
- HIGH FREQUENCY AND/OR HIGH PULSED CURRENT OPERATIONS.
- CECC APPROVED.

**DESCRIPTION**

The TURBOSWITCH is a very high performance series of ultra-fast high voltage power diodes from 600V to 1200V.

TURBOSWITCH 1200V drastically cuts losses in all high voltage operations which require extremely fast, soft and noise-free power diodes. Due to their optimized switching performances they also highly decrease power losses in any associated switching IGBT or MOSFET in all "Freewheel

**PRELIMINARY DATA**


Mode" operations.

They are particularly suitable in Motor Control circuitries, or in the primary of SMPS as snubber, clamping or demagnetizing diodes, and also at the secondary of SMPS as high voltage rectifier diodes.

Packaged in TO220AC and in ISOWATT220AC, these 1200V devices are particularly intended for use on 3 phase 400V industrial mains.

**ABSOLUTE MAXIMUM RATINGS**

Symbol	Parameter	Value	Unit
$V_{RRM}$	Repetitive peak reverse voltage	1200	V
$V_{RSM}$	Non repetitive peak reverse voltage	1200	V
$I_{F(RMS)}$	RMS forward current	20	A
$I_{FRM}$	Repetitive peak forward current (tp = 5 $\mu$ s, f = 5kHz)	75	A
$T_j$	Max operating junction temperature	150	°C
$T_{sig}$	Storage temperature	-65 to 150	°C

TM : TURBOSWITCH is a trademark of SGS-THOMSON MICROELECTRONICS.

## STTA512D/F

### THERMAL AND POWER DATA

Symbol	Parameter	Conditions	Value	Unit
$R_{th(j-c)}$	Junction to case thermal resistance	STTA512D STTA512F	4.0 5.5	$^{\circ}\text{C}/\text{W}$
$P_1$	Conduction power dissipation (see fig. 6)	$I_{F(AV)} = 5\text{A}$ $\delta = 0.5$ STTA512D $T_C = 102^{\circ}\text{C}$ STTA512F $T_C = 84^{\circ}\text{C}$	12	W
$P_{max}$	Total power dissipation $P_{max} = P_1 + P_3$ ( $P_3 = 10\% P_1$ )	STTA512D $T_C = 98^{\circ}\text{C}$ STTA512F $T_C = 78^{\circ}\text{C}$	13	W

### STATIC ELECTRICAL CHARACTERISTICS (see Fig.6)

Symbol	Parameter	Test Conditions		Min	Typ	Max	Unit
$V_F$ *	Forward voltage drop	$I_F = 5\text{A}$	$T_j = 25^{\circ}\text{C}$ $T_j = 125^{\circ}\text{C}$			2.2 2.0	V V
$I_R$ **	Reverse leakage current	$V_R = 0.8$ $\times V_{RRM}$	$T_j = 25^{\circ}\text{C}$ $T_j = 125^{\circ}\text{C}$			100 2.0	$\mu\text{A}$ mA

Test pulses widths : \*  $t_p = 380 \mu\text{s}$ , duty cycle < 2%

\*\*  $t_p = 5 \text{ms}$ , duty cycle < 2%

### DYNAMIC ELECTRICAL CHARACTERISTICS

#### TURN-OFF SWITCHING (see Fig.7)

Symbol	Parameter	Test Conditions	Min	Typ	Max	Unit
$t_{rr}$	Reverse recovery time	$T_j = 25^{\circ}\text{C}$ $I_F = 0.5 \text{A}$ $I_R = 1\text{A}$ $I_{rr} = 0.25\text{A}$ $I_F = 1 \text{A}$ $di_F/dt = -50\text{A}/\mu\text{s}$ $V_R = 30\text{V}$		45	95	ns
$I_{RM}$	Maximum reverse recovery current	$T_j = 125^{\circ}\text{C}$ $V_R = 600\text{V}$ $I_F = 5\text{A}$ $di_F/dt = -40 \text{A}/\mu\text{s}$ $di_F/dt = -500 \text{A}/\mu\text{s}$		20	7.5	A
S factor	Softness factor	$T_j = 125^{\circ}\text{C}$ $V_R = 600\text{V}$ $I_F = 5\text{A}$ $di_F/dt = -500 \text{A}/\mu\text{s}$		1.2		/

#### TURN-ON SWITCHING (see Fig.8)

Symbol	Parameter	Test Conditions	Min	Typ	Max	Unit
$t_{fr}$	Forward recovery time	$T_j = 25^{\circ}\text{C}$ $I_F = 5 \text{A}$ , $di_F/dt = 40 \text{A}/\mu\text{s}$ measured at, $1.1 \times V_{Fmax}$			900	ns
$V_{Fp}$	Peak forward voltage	$T_j = 25^{\circ}\text{C}$ $I_F = 5\text{A}$ , $di_F/dt = 40 \text{A}/\mu\text{s}$ $I_F = 40\text{A}$ , $di_F/dt = 500 \text{A}/\mu\text{s}$			35 50	V

## APPLICATION DATA

The 1200V TURBOSWITCH series has been designed to provide the lowest overall power losses in all high frequency or high pulsed current operations. In such applications (Fig 1 to 5), the way of calculating the power losses is given below :

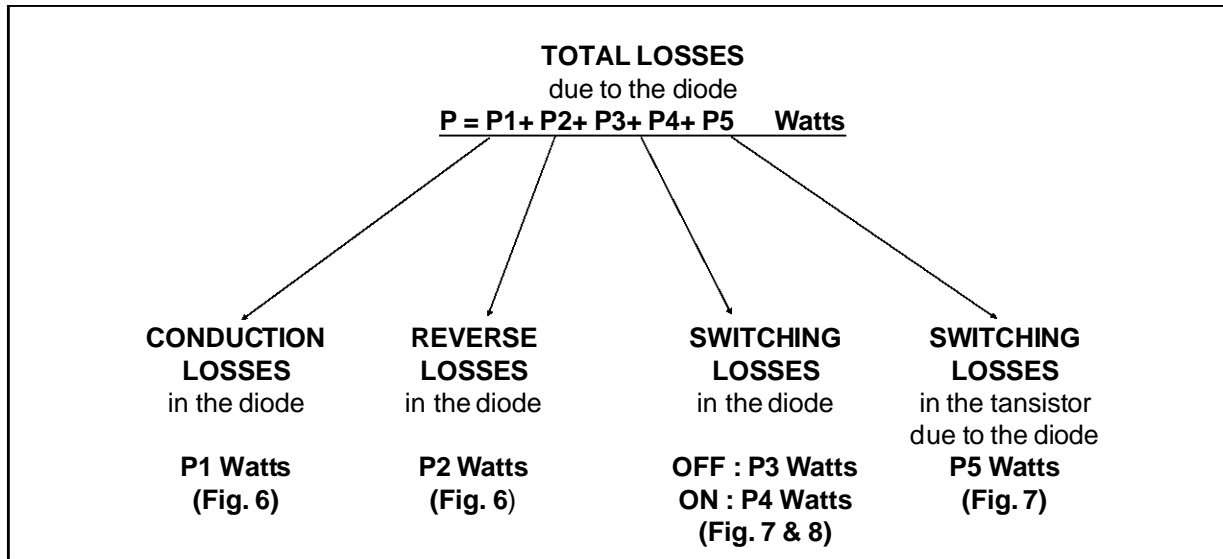


Fig. 1 : "FREEWHEEL" MODE.

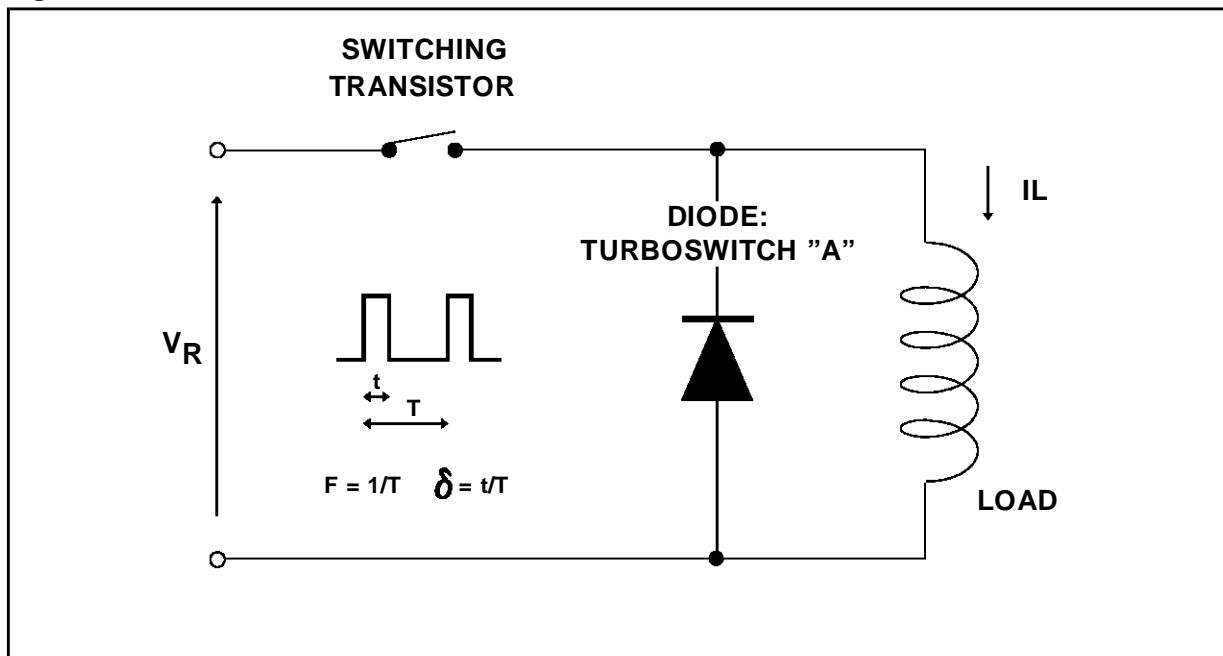


Fig. 2 : SNUBBER DIODE.

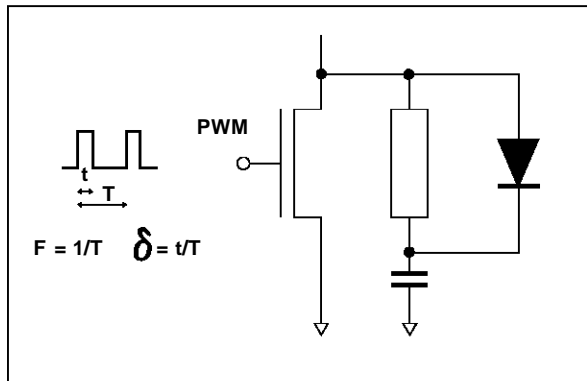


Fig. 3 : CLAMPING DIODE.

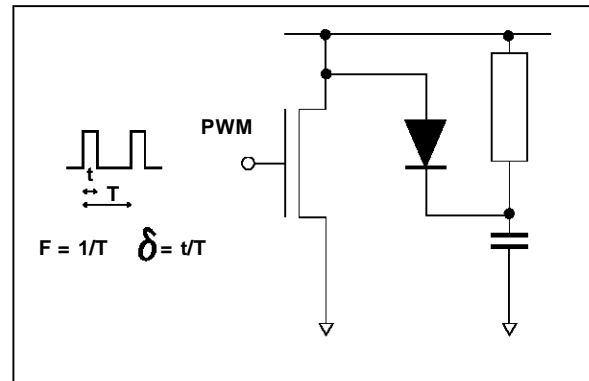


Fig. 4 : DEMAGNETIZING DIODE.

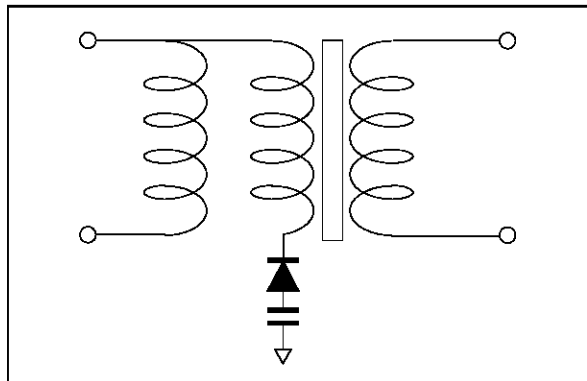
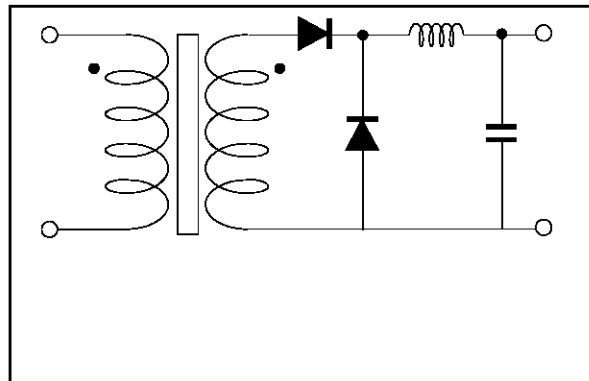
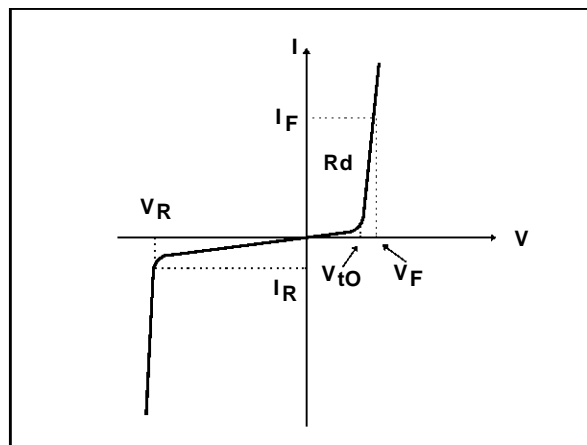


Fig. 5 : RECTIFIER DIODE.



**STATIC & DYNAMIC CHARACTERISTICS . POWER LOSSES .**

Fig. 6: STATIC CHARACTERISTICS



**Conduction losses :**

$$P1 = V_{t0} \cdot I_F(AV) + R_d \cdot I_F^2(RMS)$$

with

$$V_{t0} = 1.57 \text{ V}$$

$$R_d = 0.086 \text{ Ohm}$$

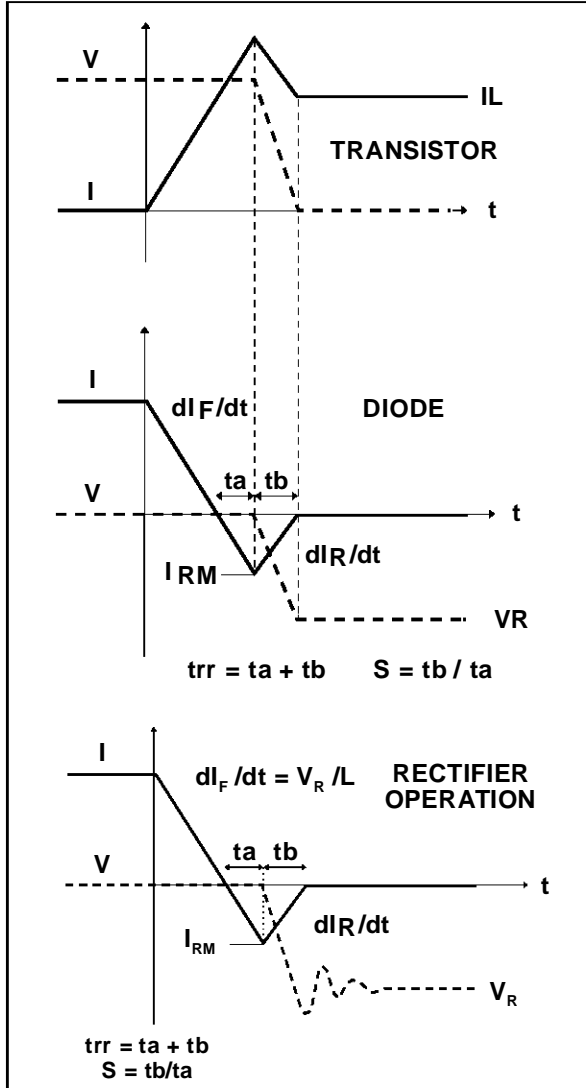
(Max values at 125°C, suitable for  $I_{peak} < 3 \cdot I_{F(av)}$ )

**Reverse losses :**

$$P2 = V_R \cdot I_R \cdot (1 - \delta)$$

APPLICATION DATA (Cont'd)

Fig. 7: TURN-OFF CHARACTERISTICS



Turn-on losses :  
(in the transistor, due to the diode)

$$P5 = \frac{V_R \times I_{RM}^2 \times (3 + 2 \times S) \times F}{6 \times dI_F/dt} + \frac{V_R \times I_{RM} \times I_L \times (S + 2) \times F}{2 \times dI_F/dt}$$

Turn-off losses (in the diode) :

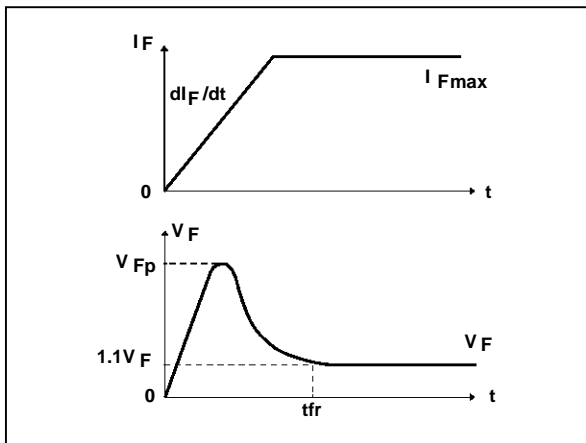
$$P3 = \frac{V_R \times I_{RM}^2 \times S \times F}{6 \times dI_F/dt}$$

Turn-off losses :  
(with non negligible serial inductance)

$$P3' = \frac{V_R \times I_{RM}^2 \times S \times F}{6 \times dI_F/dt} + \frac{L \times I_{RM}^2 \times F}{2}$$

P3,P3' and P5 are suitable for power MOSFET and IGBT

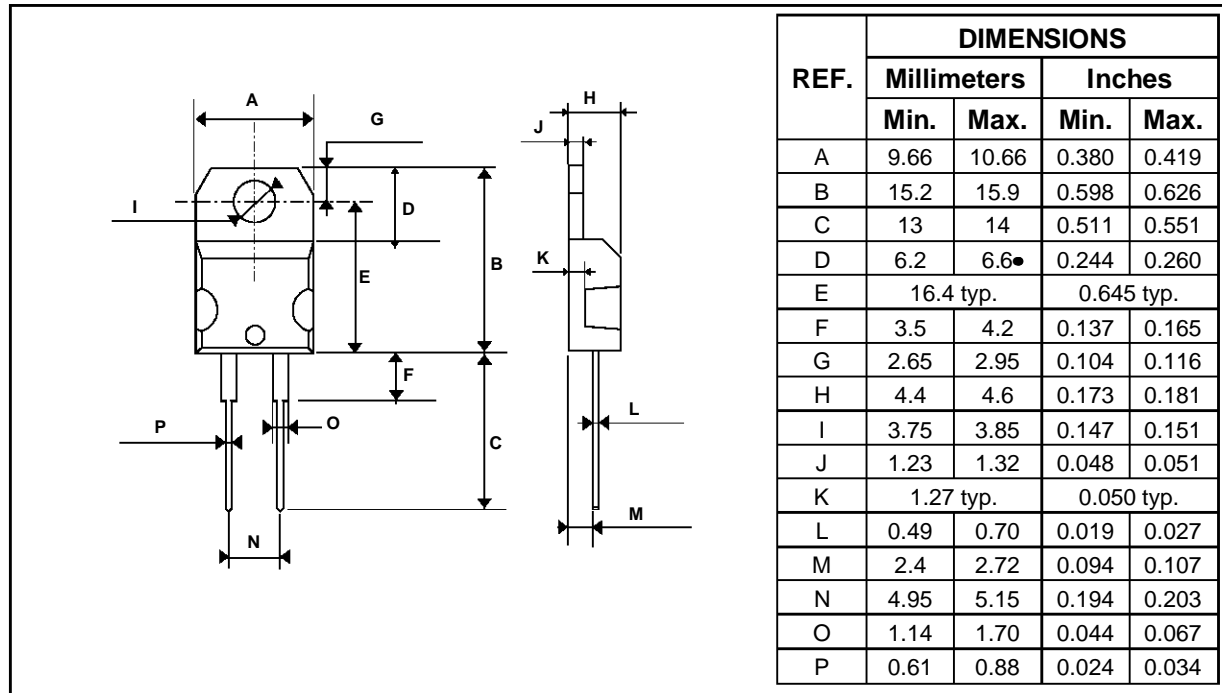
Fig. 8: TURN-ON CHARACTERISTICS



Turn-on losses :  
 $P4 = 0.4 (V_{FP} - V_F) \cdot I_{Fmax} \cdot t_{tr} \cdot F$

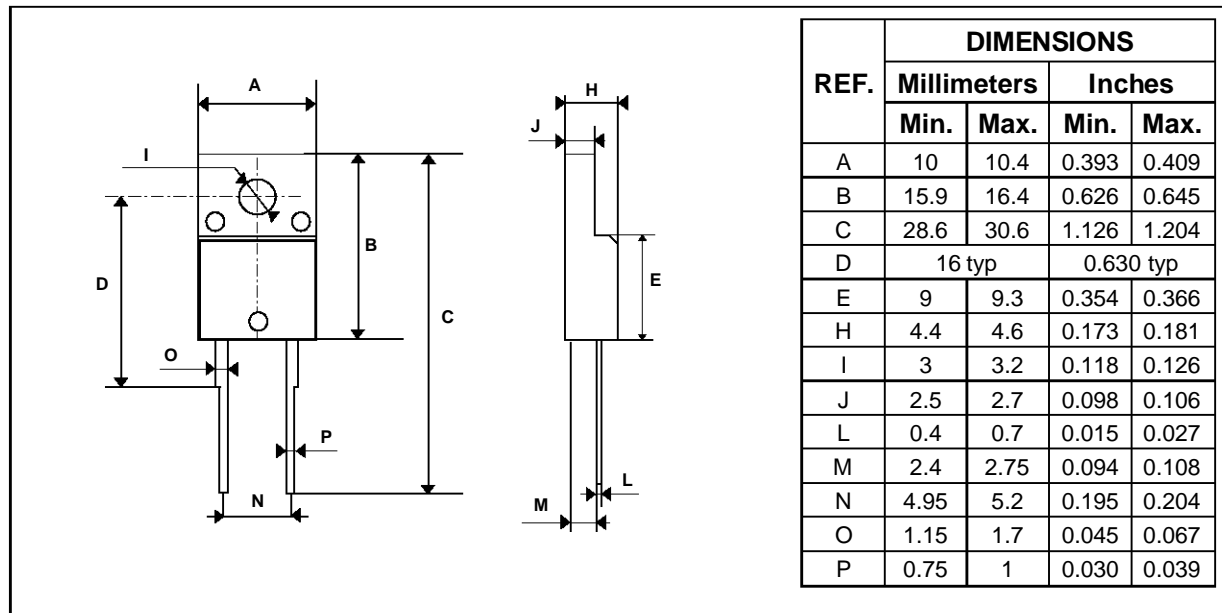
# STTA512D/F

## PACKAGE DATA TO220AC (JEDEC outline)



Cooling method : C.  
 Marking : Type number.  
 Weight : 1.9 g.  
 Torque value : 0.55 m.N typ (0.70 m.N max).

## PACKAGE DATA ISOWATT220AC



Cooling method : C.  
 Marking : Type number.  
 Weight : 2.0 g.  
 Torque value : 0.55 m.N typ (0.70 m.N max).

Electrical isolation : 2000V DC  
 Capacitance : 12 pF

Information furnished is believed to be accurate and reliable. However, SGS-THOMSON Microelectronics assumes no responsibility for the consequences of use of such information nor for any infringement of patents or other rights of third parties which may result from its use. No license is granted by implication or otherwise under any patent or patent rights of SGS-THOMSON Microelectronics. Specifications mentioned in this publication are subject to change without notice. This publication supersedes and replaces all information previously supplied. SGS-THOMSON Microelectronics products are not authorized for use as critical components in life support devices or systems without express written approval of SGS-THOMSON Microelectronics.

© 1995 SGS-THOMSON Microelectronics - Printed in Italy - All rights reserved.

SGS-THOMSON Microelectronics GROUP OF COMPANIES

Australia - Brazil - France - Germany - Hong Kong - Italy - Japan - Korea - Malaysia - Malta - Morocco - The Netherlands  
- Singapore - Spain - Sweden - Switzerland - Taiwan - Thailand - United Kingdom - U.S.A.