

MITSUBISHI FAST RECOVERY DIODE MODULES  
**RM50DA/CA/C1A-XXF**

HIGH SPEED SWITCHING USE  
 INSULATED TYPE

RM50DA/CA/C1A-XXF



- **Idc** DC current ..... **50A**
- **VRRM** Repetitive peak reverse voltage  
 .. **600/800/1000/1200V**
- **trr** Reverse recovery time ..... **0.8μs**
- **Insulated Type**
- **UL Recognized**

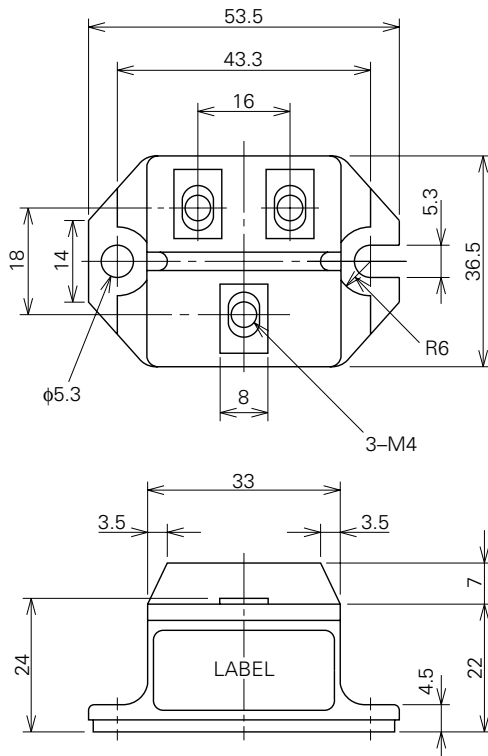
Yellow Card No. E80276 (N)  
 File No. E80271

**APPLICATION**

Free wheel use, Welders

**OUTLINE DRAWING & CIRCUIT DIAGRAM**

Dimensions in mm



DA	
CA	
D1A	

**RM50DA/CA/C1A-XXF**

**HIGH SPEED SWITCHING USE  
INSULATED TYPE**

**ABSOLUTE MAXIMUM RATINGS** (T<sub>j</sub>=25°C)

Symbol	Parameter	Voltage class				Unit
		12	16*	20*	24	
V <sub>RRM</sub>	Repetitive peak reverse voltage	600	800	1000	1200	V
V <sub>DRM</sub>	Non-repetitive peak reverse voltage	720	960	1100	1350	V
V <sub>R (DC)</sub>	Reverse DC voltage	480	640	800	960	V

\* Order made

Symbol	Parameter	Conditions	Ratings	Unit
I <sub>DC</sub>	DC output current	Resistive load, T <sub>c</sub> =105°C	50	A
I <sub>FSM</sub>	Surge (non-repetitive) forward current	One half cycle at 60Hz, peak value	1000	A
I <sup>2</sup> <sub>t</sub>	I <sup>2</sup> <sub>t</sub> for fusing	Value for one cycle of surge current	4.2x10 <sup>3</sup>	A <sup>2</sup> s
T <sub>j</sub>	Junction temperature		-40~150	°C
T <sub>stg</sub>	Storage temperature		-40~125	°C
V <sub>iso</sub>	Isolation voltage	Charged part to case	2500	V
—	Mounting torque	Main terminal screw M4	0.98~1.47	N·m
		Mounting screw M5	10~15	kg·cm
			1.47~1.96	N·m
—	Weight	Typical value	15~20	kg·cm
—	Weight	Typical value	90	g

**ELECTRICAL CHARACTERISTICS**

Symbol	Parameter	Test conditions	Limits			Unit
			Min.	Typ.	Max.	
I <sub>RRM</sub>	Repetitive reverse current	T <sub>j</sub> =150°C, V <sub>RRM</sub> applied	—	—	10	mA
V <sub>FM</sub>	Forward voltage	T <sub>j</sub> =25°C, I <sub>FM</sub> =50A, instantaneous meas.	—	—	1.5	V
t <sub>rr</sub>	Reverse recovery time	I <sub>FM</sub> =50A, di/dt=-100A/μs, V <sub>R</sub> =300/600V* <sup>1</sup> , T <sub>j</sub> =150°C	—	—	0.8	μs
Q <sub>rr</sub>	Reverse recovery charge		—	—	30	μC
R <sub>th (j-c)</sub>	Thermal resistance	Junction to case	—	—	0.6	°C/W
R <sub>th (c-f)</sub>	Contact thermal resistance	Case to fin, conductive grease applied	—	—	0.3	°C/W

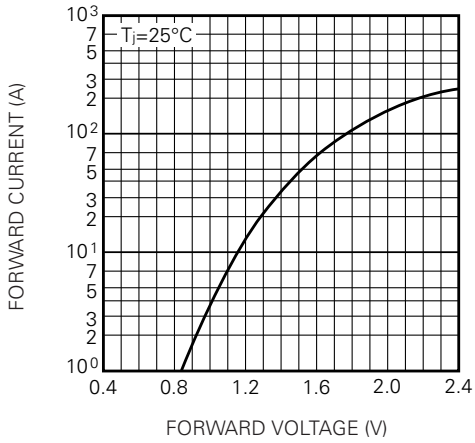
\*<sup>1</sup> 12, 16 class: V<sub>R</sub>=300V    20, 24 class: V<sub>R</sub>=600V

RM50DA/CA/C1A-XXF

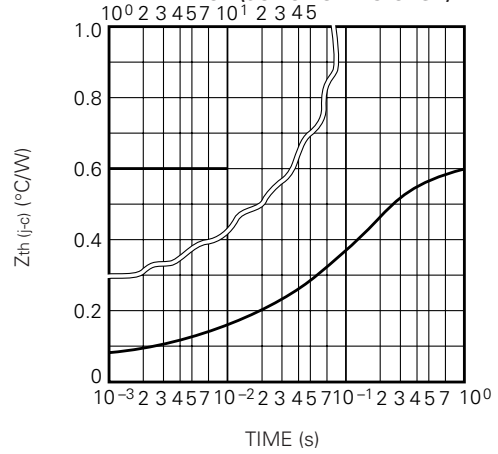
HIGH SPEED SWITCHING USE  
INSULATED TYPE

PERFORMANCE CURVE

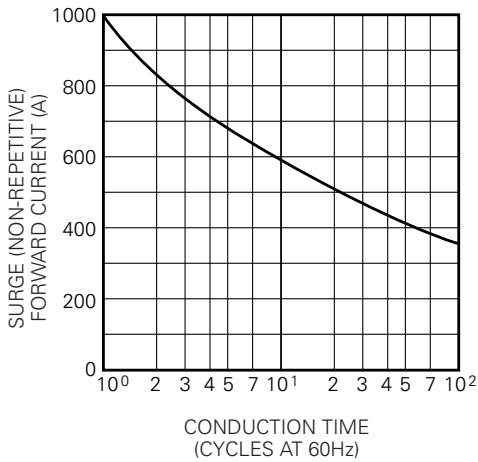
MAXIMUM FORWARD CHARACTERISTIC



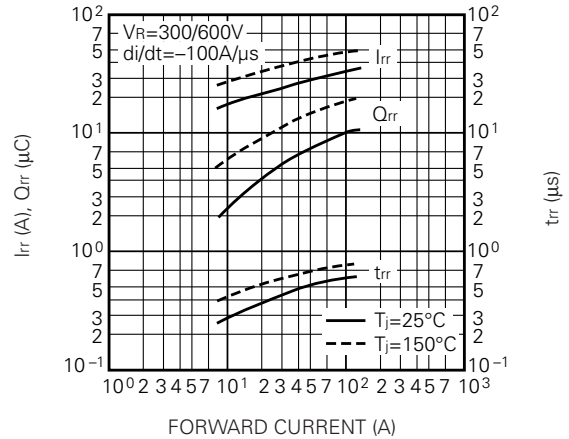
MAXIMUM TRANSIENT THERMAL IMPEDANCE (JUNCTION TO CASE)



RATED SURGE (NON-REPETITIVE) FORWARD CURRENT



REVERSE RECOVERY CHARACTERISTICS VS. FORWARD CURRENT (TYPICAL)



REVERSE RECOVERY CHARACTERISTICS VS. -di/dt (TYPICAL)

