

RM400HV-34S

HIGH SPEED SWITCHING USE
INSULATED TYPE

RM400HV-34S



- **Idc** DC current **400A**
- **VRRM** Repetitive peak reverse voltage
..... **1700V**
- **trr** Reverse recovery time **0.4μs**
- **Insulated Type**
- **UL Recognized**

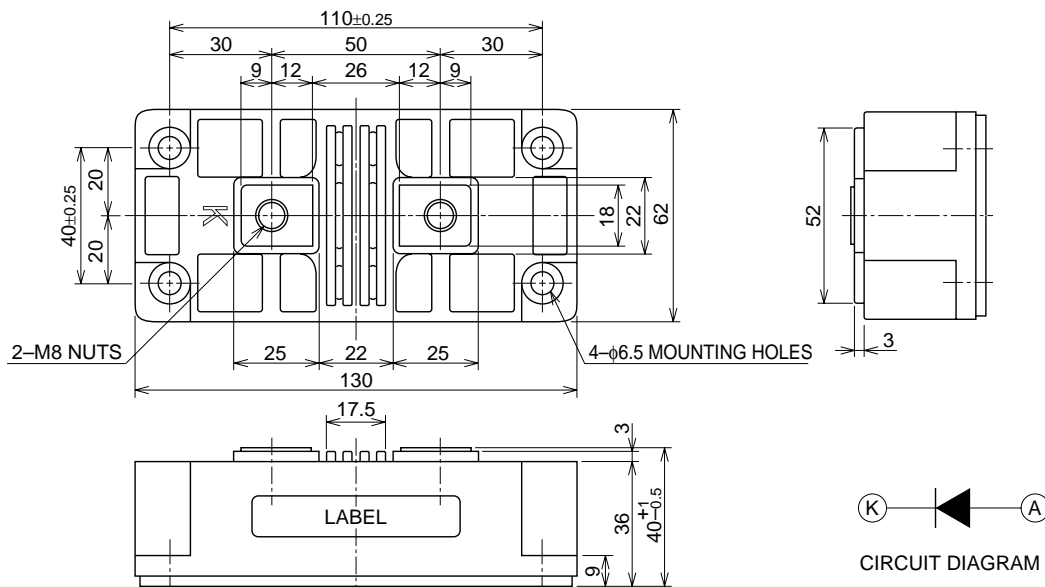
Yellow Card No. E80276 (N)
File No. E80271

APPLICATION

Free wheel use, Welders

OUTLINE DRAWING & CIRCUIT DIAGRAM

Dimensions in mm



RM400HV-34S

HIGH SPEED SWITCHING USE
INSULATED TYPE

ABSOLUTE MAXIMUM RATINGS (T_j=25°C)

| Symbol | Parameter | Voltage class | | Unit |
|---------|-------------------------------------|---------------|--|------|
| | | 34 | | |
| VRRM | Repetitive peak reverse voltage | 1700 | | V |
| VDRM | Non-repetitive peak reverse voltage | 1700 | | V |
| VR (DC) | Reverse DC voltage | 1360 | | V |

| Symbol | Parameter | Conditions | Ratings | Unit |
|-----------------------------|--|--------------------------------------|-----------------------|------------------|
| I _{DC} | DC current | Resistive load, T _c =90°C | 400 | A |
| I _{FSM} | Surge (non-repetitive) forward current | One half cycle at 60Hz, peak value | 8000 | A |
| I ² _t | I ² _t for fusing | Value for one cycle surge current | 2.6 × 10 ⁵ | A ² s |
| T _j | Junction temperature | | -40~+150 | °C |
| T _{stg} | Storage temperature | | -40~+125 | °C |
| V _{iso} | Isolation voltage | Charged part to case | 5750 | V |
| — | Mounting torque | Main terminal screw M8 | 8.83~10.8 | N·m |
| | | Mounting screw M6 | 1.96~2.94 | N·m |
| — | Weight | Typical value | 740 | g |

ELECTRICAL CHARACTERISTICS

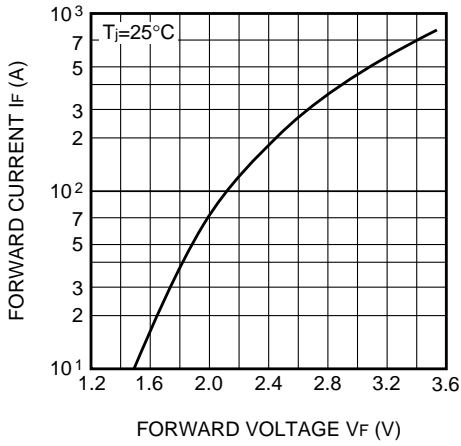
| Symbol | Parameter | Test conditions | Limits | | | Unit |
|-----------------------|----------------------------|---|--------|------|-------|------|
| | | | Min. | Typ. | Max. | |
| I _{RRM} | Repetitive reverse current | T _j =150°C, VRRM applied | — | — | 50 | mA |
| V _{FM} | Forward voltage | T _j =25°C, I _{FM} =400A, Instantaneous meas. | — | — | 3.0 | V |
| t _{rr} | Reverse recovery time | I _{FM} =400A, T _j =25°C. di/dt=-800A/μs, V _R =600V | — | — | 0.5 | μs |
| Q _{rr} | Reverse recovery charge | | — | — | 50 | μC |
| R _{th (j-c)} | Thermal resistance | Junction to case | — | — | 0.09 | °C/W |
| R _{th (c-f)} | Contact thermal resistance | Case to fin, conductive grease applied | — | — | 0.033 | °C/W |

RM400HV-34S

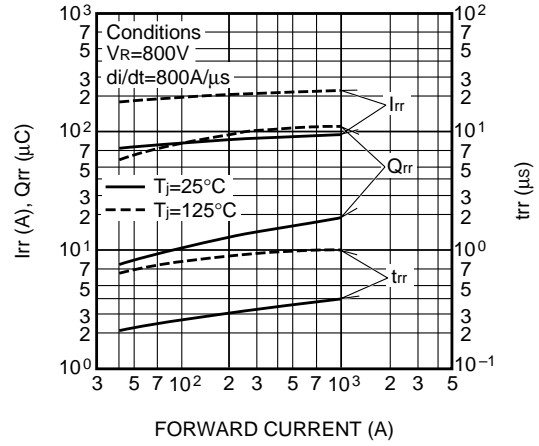
HIGH SPEED SWITCHING USE
INSULATED TYPE

PERFORMANCE CURVES

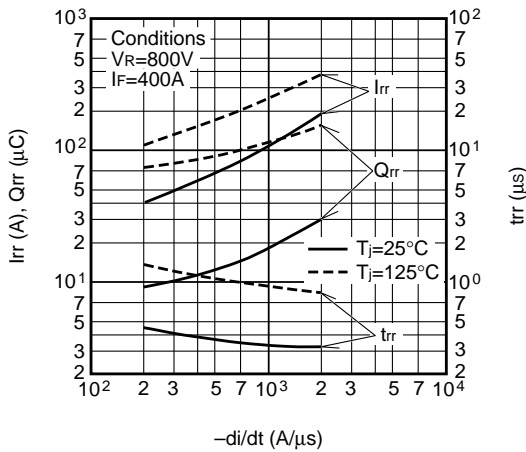
MAXIMUM FORWARD CHARACTERISTIC



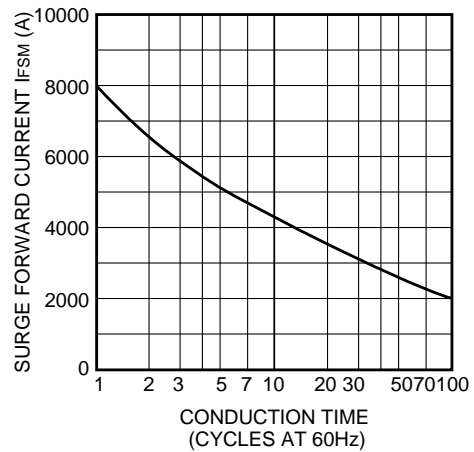
REVERSE RECOVERY CHARACTERISTICS (FORWARD CURRENT DEPENDENCY) (TYPICAL)



REVERSE RECOVERY CHARACTERISTICS (di/dt DEPENDENCY) (TYPICAL)



MAXIMUM SURGE CURRENT (NON-REPETITIVE)



MAXIMUM TRANSIENT THERMAL IMPEDANCE

