

## PJ-50A

Base Unit



## SPECIFICATIONS

Model	PJ-50A	
Number of optical axes	4	
Beam axis spacing	40 mm	
Maximum optical axis number	28 optical axes (PJ-50A x 1 + PJ-55A x 12)	
Detection area	120 mm (4 optical axes) to 1080 mm (28 optical axes)	
Detecting distance	5 m	
Detectable object	Opaque materials (50 mm dia. min.)	
Light source	Infrared LED	
Indicator lamp	Output (PJ-50AR)/Power (PJ-50AT) : Red LED, Stable operation (PJ-50AR) : Green LED	
Response time	15 ms or less	
Output	Control output	NPN open collector 100 mA max. (40 V max.), Residual voltage : 1 V max.
Control output	Operation mode	LIGHT-ON/DARK-ON (switch-selectable)
Noise resistance (power supply line)	350 V, 1 $\mu$ s (noise simulator)	
Protection circuit	Reversed polarity, overcurrent protection, surge absorber	
Rating	Power voltage	12 to 24 VDC $\pm$ 10 %, Ripple (P-P) 10 % or less
	Current consumption	90 mA (PJ-50AT: 35 mA, PJ-50AR: 55 mA) <sup>*1</sup>
Environmental resistance	Enclosure rating	IP64
	Ambient light	Incandescent lamp: 3,500 lux or less, Sunlight: 12,000 lux or less
	Ambient temperature	-20 to +50 °C (No freezing)
	Relative humidity	35 to 85 % RH (No condensation)
	Vibration resistance	10 to 55 Hz, Double amplitude 1.5 mm, 2 hours in each of the X, Y, and Z directions
	Shock resistance	100 m/s <sup>2</sup> , 3 times in each of the X, Y, and Z directions
Material	Housing : Glass-fibre reinforced plastic, Lens cover : PFA	
Weight	PJ-50AT: Approx. 390 g, PJ-50AR: Approx. 395 g <sup>*2</sup>	

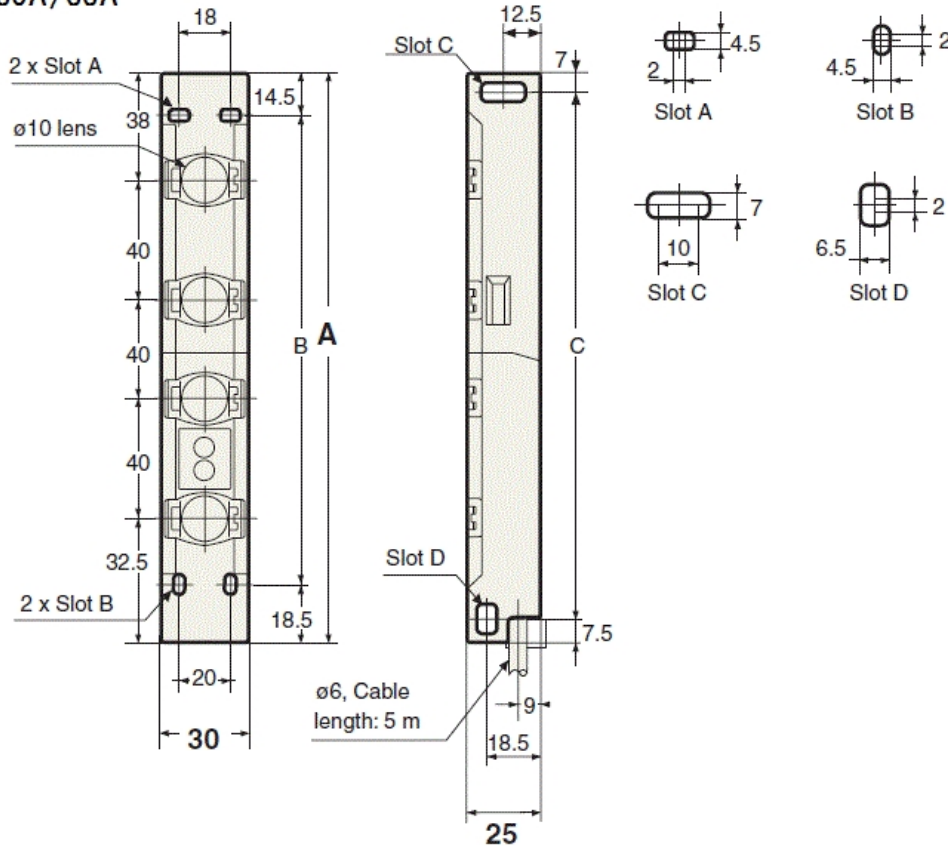
<sup>\*1</sup> This is the value with a power supply voltage of 24 V. (80 mA for the PJ-50A, 20 mA for the PJ-55A, and 45 mA for the PJ-56 with a power supply voltage of 12 V.)

<sup>\*2</sup> For models PJ-50AT and 50AR, the weight of the 5-m cable is included.

Dimensions

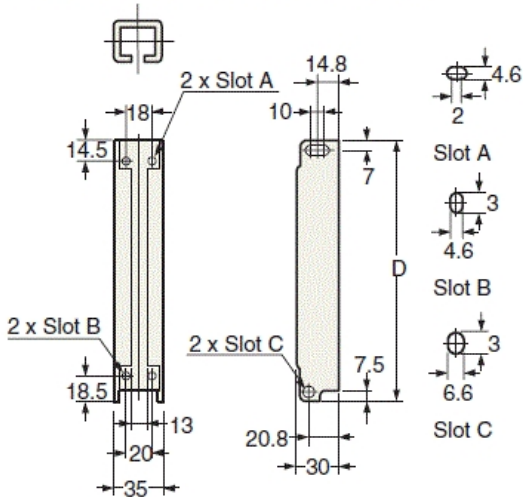
\* Download CAD file or product manual for larger image/text and more detail.

PJ-50A/55A



Mark	A	B	C
4	191	157.5	176
6	271	237.5	256
8	351.5	318	336.5
10	431.5	398	416.5
12	511.5	478	496.5
14	592	558.5	577
16	672	638.5	657
18	752.5	719	737.5
20	832.5	799	817.5
22	913	879.5	898
24	993	959.5	978
26	1073.5	1040	1058.5
28	1153.5	1120	1138.5

Protective cover for PJ-50A/55A



Model	Optical axis	Dimension D	Tolerance for Dimension D
PJ-B04	4	190.5	±1
PJ-B06	6	271	
PJ-B08	8	351.5	
PJ-B10	10	432	±1 -2
PJ-B12	12	512.5	
PJ-B14	14	593	±1 -2.5
PJ-B16	16	673.5	
PJ-B20	20	834.5	±1 -3.5
PJ-B24	24	995.5	
PJ-B28	28	1153.5	—

Unit: mm