

# THYRISTOR MODULE

222A / 800V

P A T 1 0 0 8 A C

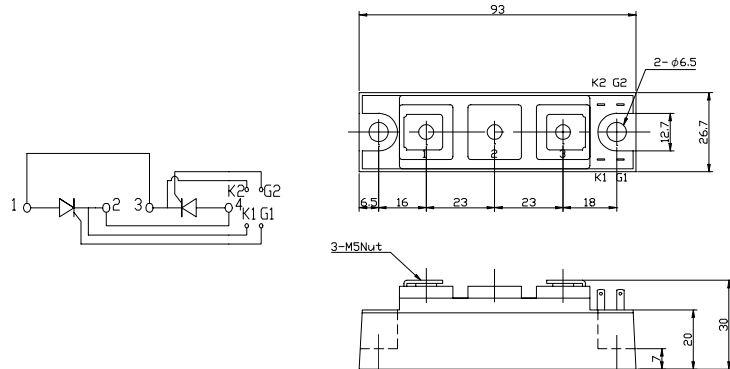
## FEATURES

- \* Isolated Base
- \* Dual Thyristors Anti-Parallel Circuit
- \* High Surge Capability
- \* UL Recognized, File No. E187184

## TYPICAL APPLICATIONS

- \* AC phase control
- \* AC switch

OUTLINE DRAWING



## Maximum Ratings

Approx Net Weight:155g

Parameter	Symbol	Grade	Unit
		PAT1008AC	
Repetitive Peak Off-State Voltage	$V_{DRM}$	800	V
Non Repetitive Peak Off-State Voltage	$V_{DSM}$	960	

Parameter		Conditions	Max Rated Value	Unit	
RMS On-State Current	$I_{T(RMS)}$	50Hz Half Sine Wave condition $T_c=82^\circ C$	222	A	
Surge On-State Current	$I_{FSM}$	50 Hz Half Sine Wave, 1Pulse Non-Repetitive	2000	A	
I Squared t	$I^2t$	2msec to 10msec	20000	A <sup>2</sup> s	
Critical Rate of Turned-On Current	di/dt	$V_D=2/3V_{DRM}$ , $I_{TM}=2 \cdot I_O$ , $T_j=125^\circ C$ $I_G=200mA$ , $di_G/dt=0.2A/\mu s$	100	A/ $\mu s$	
Peak Gate Power	$P_{GM}$		5	W	
Average Gate Power	$P_{G(AV)}$		1	W	
Peak Gate Current	$I_{GM}$		2	A	
Peak Gate Voltage	$V_{GM}$		10	V	
Peak Gate Reverse Voltage	$V_{RGM}$		5	V	
Operating Junction Temperature Range	$T_{jw}$		-40 to +125	$^\circ C$	
Storage Temperature Range	$T_{stg}$		-40 to +125	$^\circ C$	
Isolation Voltage	Viso	Base Plate to Terminals, AC1min	2500	V	
Mounting torque	Case mounting	Ftor	M6 Screw	2.4 to 3.5	N.m
	Terminals		M5 Screw	2.4 to 2.8	

Value per 1 Arm

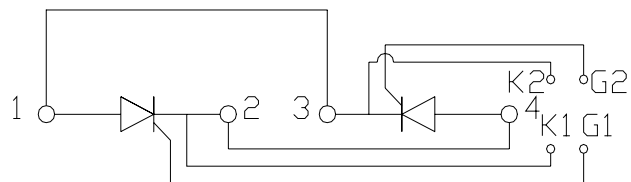
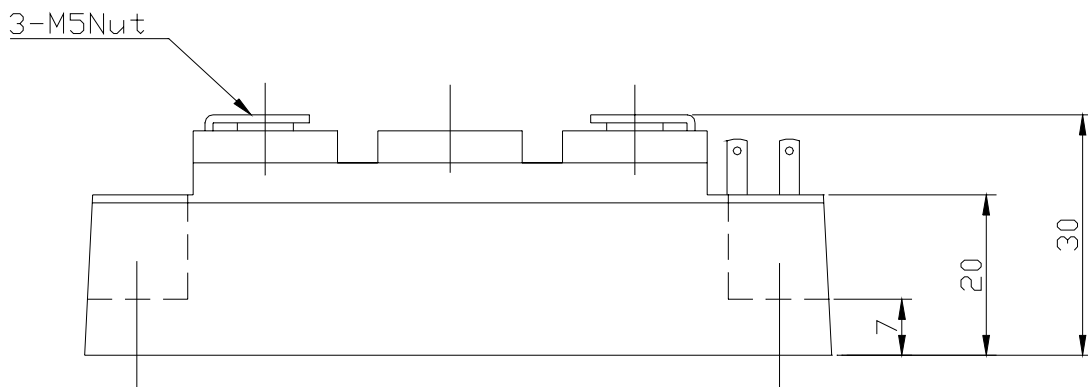
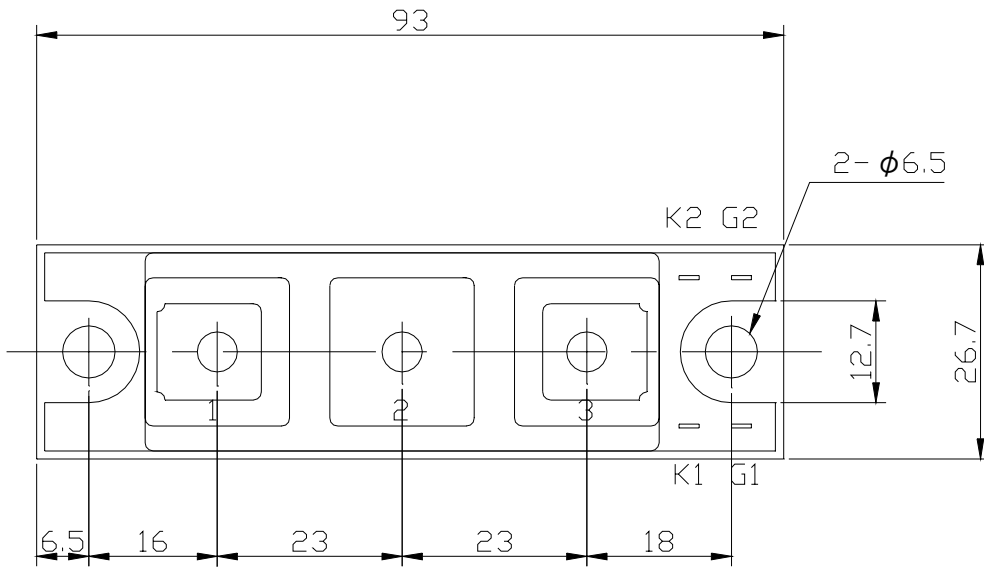
**Electrical • Thermal Characteristics**

Characteristics	Symbol	Test Conditions	Maximum Value.			Unit
			Min.	Typ.	Max.	
Peak Off-State Current	$I_{DM}$	$V_{DM} = V_{DRM}, T_j = 125^\circ\text{C}$			40	mA
Peak On-State Voltage	$V_{TM}$	$I_{TM} = 300\text{A}, T_j = 25^\circ\text{C}$			1.38	V
Gate Current to Trigger	$I_{GT}$	$V_D = 6\text{V}, I_T = 1\text{A}$	$T_j = -40^\circ\text{C}$		200	mA
			$T_j = 25^\circ\text{C}$		100	
			$T_j = 125^\circ\text{C}$		50	
Gate Voltage to Trigger	$V_{GT}$	$V_D = 6\text{V}, I_T = 1\text{A}$	$T_j = -40^\circ\text{C}$		4	V
			$T_j = 25^\circ\text{C}$		2.5	
			$T_j = 125^\circ\text{C}$		2	
Gate Non-Trigger Voltage	$V_{GD}$	$V_D = 2/3V_{DRM}, T_j = 125^\circ\text{C}$	0.25			V
Critical Rate of Rise of Off-State Voltage	$dv/dt$	$V_D = 2/3V_{DRM}, T_j = 125^\circ\text{C}$	500			V/ $\mu\text{s}$
Turn-Off Time	$t_q$	$I_{TM} = I_O, V_D = 2/3V_{DRM}$ $dv/dt = 20\text{V}/\mu\text{s}, V_R = 100\text{V}$ $-di/dt = 20\text{A}/\mu\text{s}, T_j = 125^\circ\text{C}$		100		$\mu\text{s}$
Turn-On Time	$t_{gt}$	$T_j = 25^\circ\text{C}, I_{TM} = I_{T(RMS)}$		6		$\mu\text{s}$
Delay Time	$t_d$	$V_D = 100\text{V}, I_G = 200\text{mA}$		2		$\mu\text{s}$
Rise Time	$t_r$	$di/dt = 0.2\text{A}/\mu\text{s}$		4		$\mu\text{s}$
Latching Current	$I_L$	$T_j = 25^\circ\text{C}$		100		mA
Holding Current	$I_H$	$T_j = 25^\circ\text{C}$		50		
Thermal Resistance *1	$R_{th(j-c)}$	Junction to Case			0.15	$^\circ\text{C}/\text{W}$
	$R_{th(c-f)}$	Base Plate to Heat Sink with Thermal Compound			0.1	

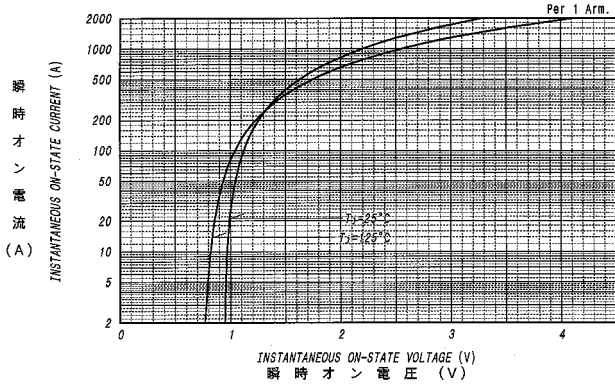
Value Per 1Arm

\*1: Value Per Module

PAT1008AC OUTLINE DRAWING (Dimensions in mm)

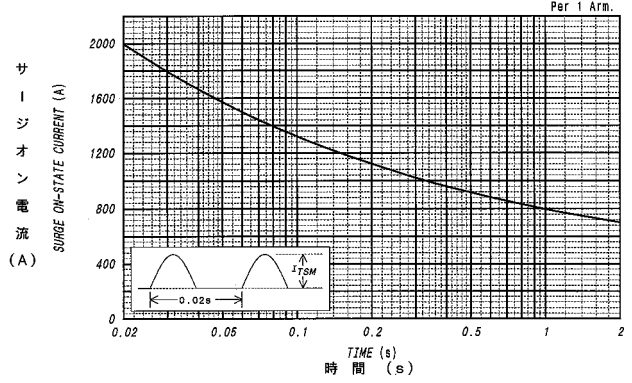


オン電圧特性  
ON-STATE CURRENT VS. VOLTAGE

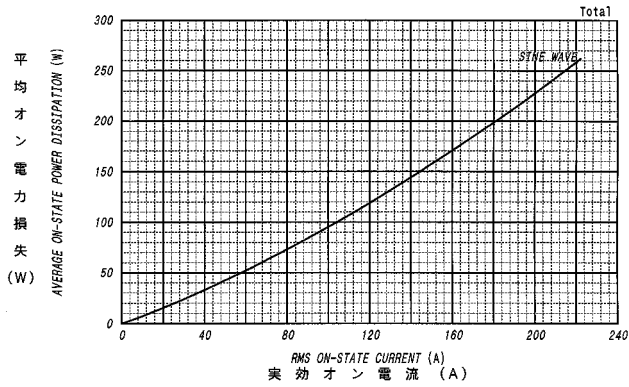


サージオン電流定格  
SURGE CURRENT RATINGS

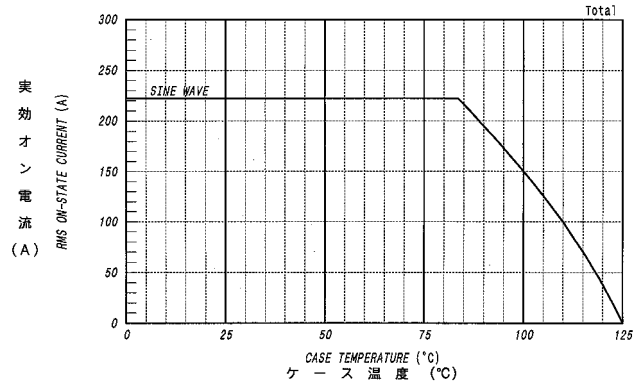
f=50Hz, Half Sine Wave, Non-Repetitive, Tj=125°C



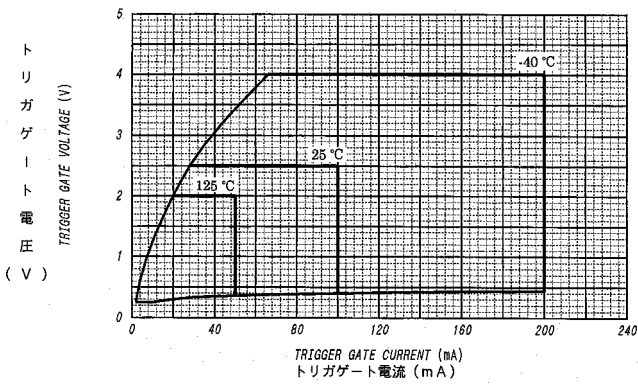
平均オン電力損失特性  
AVERAGE ON-STATE POWER DISSIPATION



実効オン電流-ケース温度定格  
RMS ON-STATE CURRENT VS. CASE TEMPERATURE



ゲート特性  
GATE CHARACTERISTICS



ゲート定格  
GATE RATINGS

