



OP-83180

Standard Mounting Bracket J

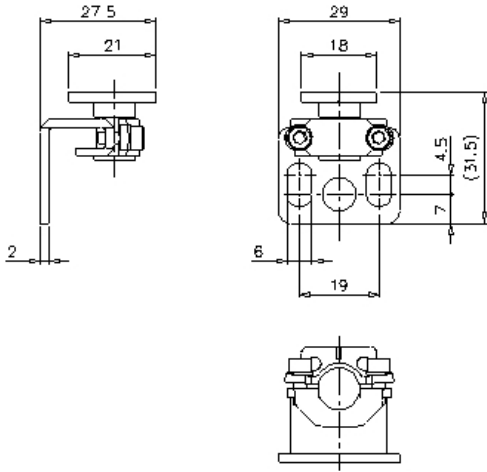
SPECIFICATIONS

Model	OP-83180
Type	Standard Fittings J
Applicable product	SL-C, SL-V
Number included	2 pcs.
Material	SUS304
Note	Standard mounting bracket with rotating mechanisms. 2 setups are required for receiver and transmitter.

Dimensions

* Download CAD file or product manual for larger image/text and more detail.

OP-83180 SLV



When mounting bracket is attached

