



LV-H32

Reflective Sensor Head, Spot Type, Variable Spot



SPECIFICATIONS

Model	LV-H32	
Type	Adjustable beam spot	
FDA (CDRH) Part 1040.10	Class II	
Light source	Visible red semiconductor laser	
Wavelength	660 nm	
Detecting distance	FINE	30 to 250 mm
	TURBO	30 to 500 mm
	SUPER	30 to 1000 mm
Environmental resistance	Ambient temperature	-10 to +55 °C (No condensation)
	Relative humidity	35 to 85 % RH (No condensation)
Material	Case	Glass reinforced plastic ^{*1}
	Lens cover	Acrylic ^{*2}
Weight	Approx. 45 g	

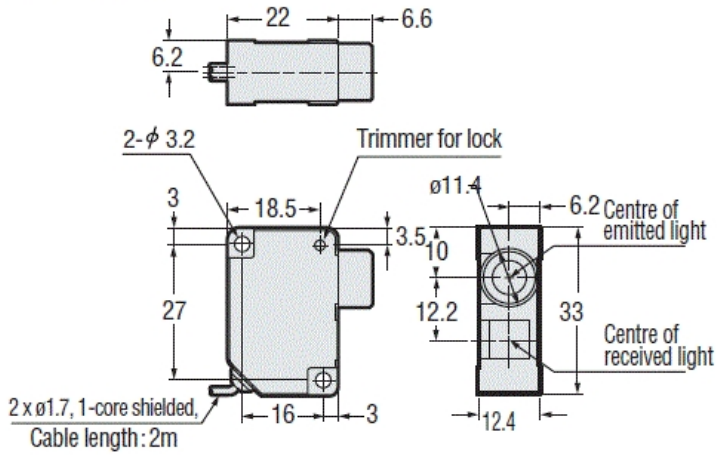
^{*1} Norbornene plastic or acrylic

^{*2} The LV-H32 and the LV-H37 receivers are polyarylate.

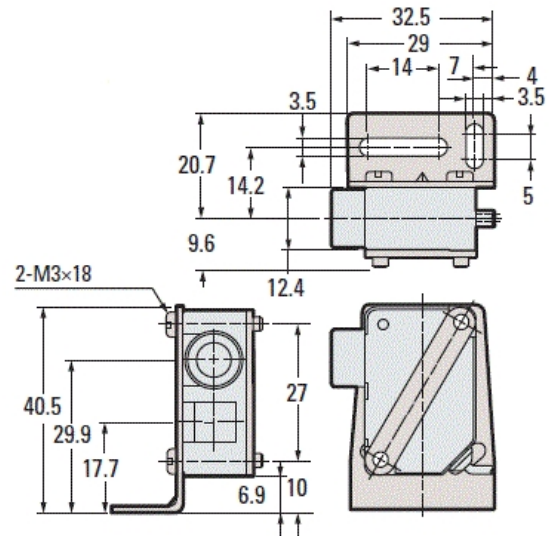
Dimensions

* Download CAD file or product manual for larger image/text and more detail.

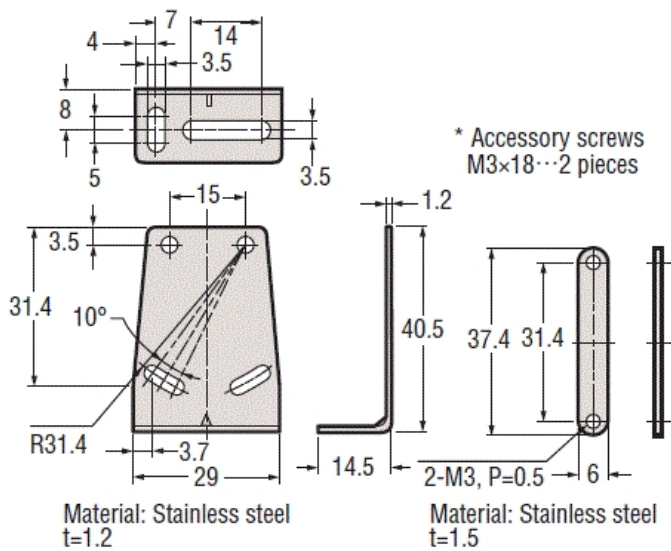
LV-H32



Mounting bracket attached



Mounting bracket for LV-H32 (Accessory)



Characteristic

* Download CAD file or product manual for larger image/text and more detail.

Characteristics of detecting distance and minimum spot diameter (typical example)

