

CRYDOM

Series IAC/IDC OAC/ODC

SOLID STATE
OPTO-ISOLATED
I/O MODULES

Solid state I/O switching modules deliver an electrically clean, photo-isolated, noise-free "output" interface from logic level control systems to external loads such as motors, valves, solenoids, etc. -- or an "input"

interface from the load or sensors to microprocessor or computer-based logic level systems. Designed for long, reliable service in demanding industrial environments.

SYSTEM VOLTAGE 5 Vdc

Model Number	IAC5	IAC5A	IDC5	IDC5B	IDC5D	OAC5	OAC5A	ODC5	ODC5A
--------------	------	-------	------	-------	-------	------	-------	------	-------

Voltage Type	AC or DC Input	AC or DC Input	DC Input	DC Input	DC Input	AC Output	AC Output	DC Output	DC Output
Color Code	Yellow	Yellow	White	White	White	Black	Black	Red	Red

INPUT SPECIFICATIONS

Voltage Range	90-140 Vac	180-280 Vac	10-36 Vdc	4-16 Vdc	3-32 Vdc	3-6 Vdc	3-6 Vdc	3-6 Vdc	3-6 Vdc
Typical Current @ Rated Voltage	7 mA	5 mA	8 mA	20 mA	13 mA	19 mA	19 mA	14 mA	14 mA
Typical Current @ Maximum Voltage	8 mA	5.5 mA	10 mA	23 mA	15 mA	22 mA	22 mA	18 mA	18 mA

OUTPUT SPECIFICATIONS

Load Current Over Load Voltage Range	.1-100 mA @ .4-30 Vdc	.1-100 mA @ .4-30 Vdc	.1-100 mA @ .4-30 Vdc	.1-100 mA @ .4-30 Vdc	.1-100 mA @ .4-30 Vdc	.02-3A @ 12-140 Vac	.02-3A @ 24-280 Vac	.02-3A @ 5-60 Vdc	.02-1A @ 10-200 Vdc
Maximum Turn-on Time	20 ms	20 ms	5 ms	0.02 ms	5 ms	1/2 Cycle	1/2 Cycle	0.3 ms	0.5 ms
Maximum Turn-off Time	20 ms	20 ms	5 ms	1 ms	5 ms	1/2 Cycle	1/2 Cycle	0.3 ms	0.5 ms
Switching Type	Random	Random	Random	Random	Random	Zero	Zero	Random	Random
Notes	1,2,4,6	1,2,4,6	1,2,4	1,2,4	1,2,4	1,2,3	1,2,3	1,2,3	1,2,3

SYSTEM VOLTAGE 15 Vdc

Model Number	IAC15	IAC15A	IDC15	IDC15B	IDC15D	OAC15	OAC15A	ODC15	ODC15A
--------------	-------	--------	-------	--------	--------	-------	--------	-------	--------

Voltage Type	AC or DC Input	AC or DC Input	DC Input	DC Input	DC Input	AC Output	AC Output	DC Output	DC Output
Color Code	Yellow	Yellow	White	White	White	Black	Black	Red	Red

INPUT SPECIFICATIONS

Voltage Range	90-140 Vac	180-280 Vac	10-36 Vdc	4-16 Vdc	3-32 Vdc	9-18 Vdc	9-18 Vdc	9-18 Vdc	9-18 Vdc
Typical Current @ Rated Voltage	7 mA	5 mA	8 mA	20 mA	13 mA	20 mA	20 mA	14 mA	14 mA
Typical Current @ Maximum Voltage	8 mA	5.5 mA	10 mA	23 mA	15 mA	25mA	25 mA	17 mA	17 mA

OUTPUT SPECIFICATIONS

Load Current Over Load Voltage Range	.1-100 mA @ .4-30 Vdc	.1-100 mA @ .4-30 Vdc	.1-100 mA @ .4-30 Vdc	.1-100 mA @ .4-30 Vdc	.1-100 mA @ .4-30 Vdc	.02-3A @ 12-140 Vac	.02-3A @ 24-280 Vac	.02-3A @ 5-60 Vdc	.02-1A @ 10-200 Vdc
Maximum Turn-on Time	20 ms	20 ms	5 ms	0.02 ms	5 ms	1/2 Cycle	1/2 Cycle	0.3 ms	0.5 ms
Maximum Turn-off Time	20 ms	20 ms	5 ms	1 ms	5 ms	1/2 Cycle	1/2 Cycle	0.3 ms	0.5 ms
Switching Type	Random	Random	Random	Random	Random	Zero	Zero	Random	Random
Notes	1,2,4,6	1,2,4,6	1,2,4	1,2,4	1,2,4	1,2,3	1,2,3	1,2,3	1,2,3



Series IAC/IDC OAC/ODC

SOLID STATE
OPTO-ISOLATED
I/O MODULES

SYSTEM VOLTAGE 24 Vdc									
Model Number	IAC24	IAC24A	IDC24	IDC24B	IDC24D	OAC24	OAC24A	ODC24	ODC24A

Voltage Type	AC or DC Input	AC or DC Input	DC Input	DC Input	DC Input	AC Output	AC Output	DC Output	DC Output
Color Code	Yellow	Yellow	White	White	White	Black	Black	Red	Red

INPUT SPECIFICATIONS

Voltage Range	90-140 Vac	180-280 Vac	10-36 Vdc	4-16 Vdc	3-32 Vdc	18-28 Vdc	18-28 Vdc	18-28 Vdc	18-28 Vdc
Typical Current @ Rated Voltage	7 mA	5 mA	8 mA	20 mA	13 mA	15 mA	15 mA	10 mA	10 mA
Typical Current @ Maximum Voltage	8 mA	5.5 mA	10 mA	23 mA	15 mA	18 mA	18 mA	12 mA	12 mA

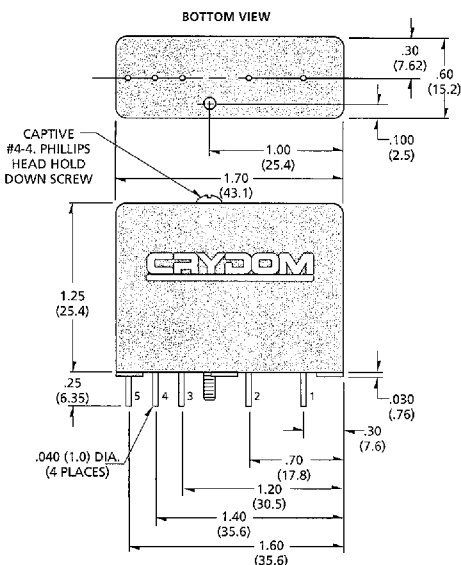
OUTPUT SPECIFICATIONS

Load Current Over	.1-100 mA @	.1-100 mA @	.1-100 mA @	.1-100 mA @	.1-100 mA @	.02-3A @	.02-3A @	.02-3A @	.02-1A @
Load Voltage Range	.4-30 Vdc	.4-30 Vdc	.4-30 Vdc	.4-30 Vdc	.4-30 Vdc	12-140 Vac	24-280 Vac	5-60 Vdc	10-200 Vdc
Maximum Turn-on Time	20 ms	20 ms	5 ms	0.02 ms	5 ms	1/2 Cycle	1/2 Cycle	0.3 ms	0.5 ms
Maximum Turn-off Time	20 ms	20 ms	5 ms	1 ms	5 ms	1/2 Cycle	1/2 Cycle	0.3 ms	0.5 ms
Switching Type	Random	Random	Random	Random	Random	Zero	Zero	Random	Random
Notes	1,2,4,6	1,2,4,6	1,2,4	1,2,4	1,2,4	1,2,3	1,2,3	1,2,3	1,2,3

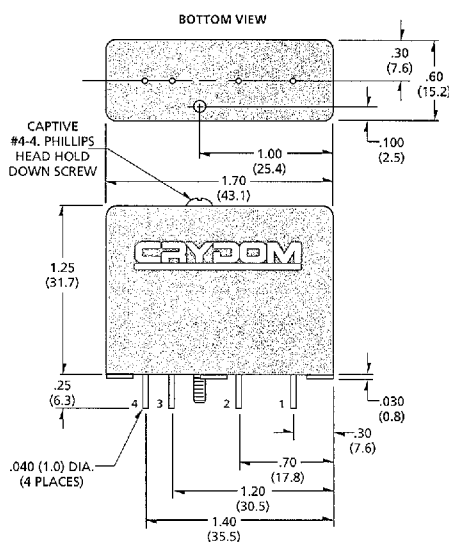
MECHANICAL

All dimensions are in inches (millimeters)

IAC/IDC



OAC/ODC



NOTES

1. UL recognized.
2. CSA certified.
3. The output of the AC output module is compatible with the input of the AC input module and the output of the DC output module is compatible with the input of the DC input module.
4. Input modules provide an output that is active low.
5. Output modules can be controlled from active or active high logic.
6. Input will operate on AC or DC voltage.