



FEATURES

- Remote Sense
- Remote ON/OFF
- Switching Frequency Synchronization
- Parallel Operation
- Series Operation
- Compact Footprint/Low Profile

SPECIFICATIONS

INPUT

Voltage Range See Model Selection Table

OUTPUT

Output Voltage See Model Selection Table

Output Voltage Adjustment $\pm 10\%$ – See Engineering Data for details

Regulation

Total $\pm 5\%$ max.

Set Point $\pm 3\%$ max.

	<u>5V</u>	<u>12V</u>	<u>24V</u>	
Regulation				
Line (typ.)		10 mV	20 mV	30 mV
Load (typ.)		20 mV	25 mV	40 mV
Temp Drift (typ.)		10 mV	20 mV	50 mV
Noise & Ripple (peak-to-peak)		200 mV	300 mV	400 mV
Overvoltage Protection (max.)		7V15.5V		32V

Output Current See Model Selection Table

Isolation $>100\text{ M}\Omega$

Dielectric Strength 500 VDC for one minute

Insulation Resistance $>100\text{ M}\Omega$ (@ 500 VDC)

ENVIRONMENTAL

Operating Ambient Temp. -10 to $+70^\circ\text{C}$
(see Engineering Data for derating)

Storage Temp. -25 to $+85^\circ\text{C}$

Cooling Convection; See Engineering Data for details.

MECHANICAL

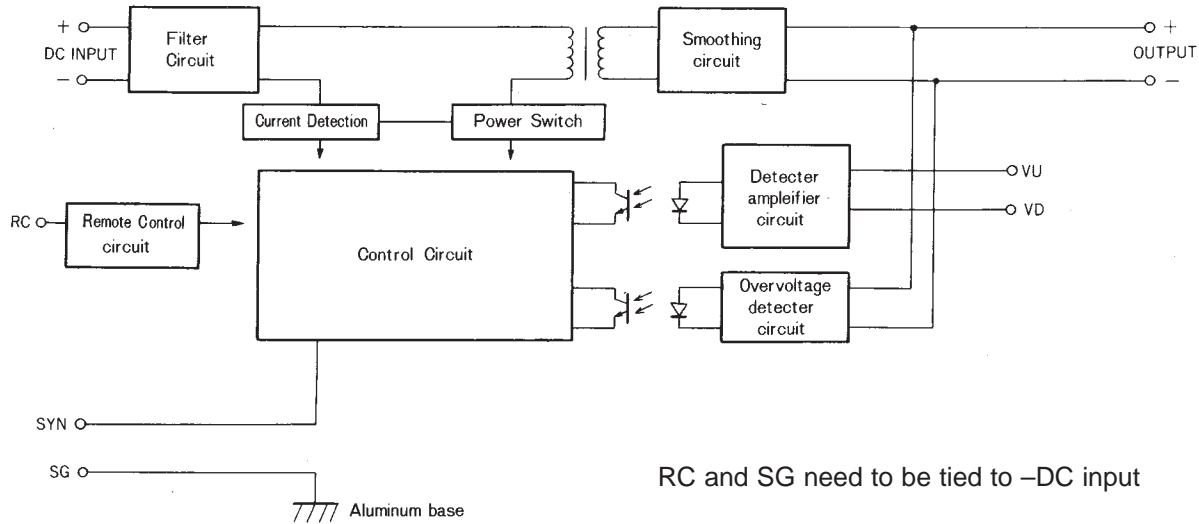
Shock 20G max., any side

Vibration Amplitude 1.5 mm, 10 - 55 Hz scan in 1 minute;
X, Y, Z direction for 2 hours each (non-operating).

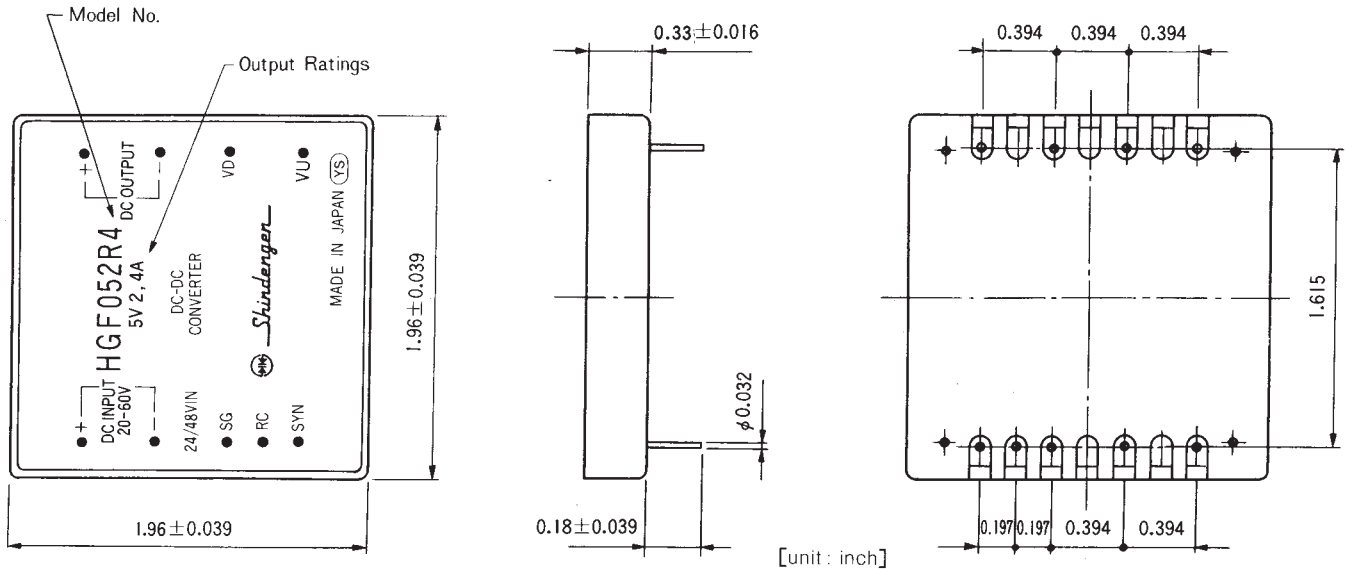
MODEL SPECIFICATIONS

Output		24/48 (20-60)VDC	
Volts	Amps	Model	Efficiency
5	0-2.4	HGF052R4	82/78%
12	0-1.0	HGF12001	82/78%
24	0-0.5	HGF240R5	82/78%

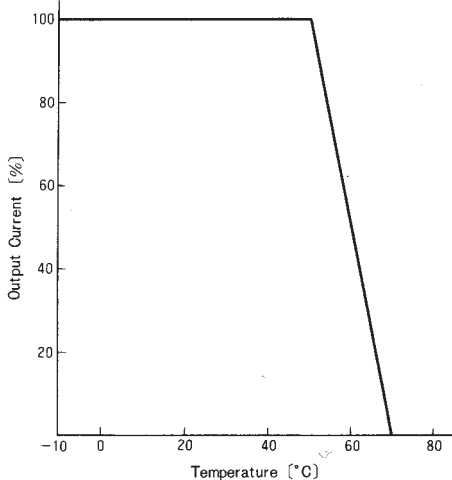
BLOCK DIAGRAM



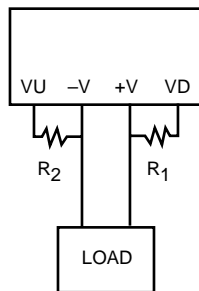
EXTERNAL DIAGRAM



DERATING CHART



VOLTAGE ADJUSTMENT



Connect either R1 to lower output voltage, or R2 to raise output voltage

MECHANICAL SPECIFICATIONS

Size (W x D x H) 1.96 x 1.96 x 0.33 inches
(49.8 x 49.8 x 8.5 mm)
Weight 0.9 oz (26 g)

Dimensions in inches; () Dimensions in mm.