



### Applications

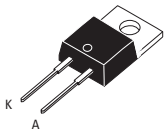
- Input Rectification
- Low Frequency Freewheel
- Battery Isolation

- > Suitable for General Purpose Applications
- > Isolated and Non-Isolated Tab
- >  $V_R/V_{RRM}$  400, 600, 800, 1000V

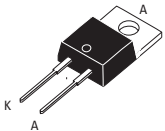
## CRNA/CRNB25

25Amp - 400/600/800/1000V - RECTIFIER

### 2 Pin Package (Standard)

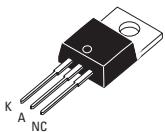


TO-220AB Isolated (CRNA25)

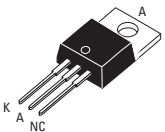


TO-220AB Non-Isolated (CRNB25)

### 3 Pin Package (Suffix L3)



TO-220AB Isolated (CRNA25...L3)



TO-220AB Non-Isolated (CRNB25...L3)



### Absolute Maximum Ratings

	CONDITIONS	SYMBOL	RATING
RMS On-State Current (full sine wave)	$T_c = 95^\circ\text{C}$ $T_c = 80^\circ\text{C}$	TO-220AB TO-220AB Iso $I_{F(RMS)}$	25A
Average On-State Current	$T_c = 95^\circ\text{C}$ $T_c = 80^\circ\text{C}$	TO-220AB TO-220AB Iso $I_{F(AV)}$	15.9A
Non Repetitive Surge Peak On-State Current (Full Cycle, $T_j$ Initial = $25^\circ\text{C}$ )	F = 50 Hz F = 60 Hz	$I_{FSM}$	300A 350A
$I^2t$ Value for fusing	tp = 10 ms	$I^2t$	508A <sup>2</sup> s
Storage Temperature Range		$T_{stg}$	-40 to +150 °C
Operating Junction Temperature Range		$T_j$	-40 to +125 °C
Isolation Voltage (CRNA Series only)		$V_{ISO}$	2500 $V_{RMS}$

### Electrical Characteristics

$V_{FM}$ @ 25A	$T_j = 25^\circ\text{C}$	1.1V
$I_{RM}$ @ $V_R = V_{RRM}$	$T_j = 25^\circ\text{C}$	0.1mA
$I_{RM}$ @ $V_R = V_{RRM}$	$T_j = 125^\circ\text{C}$	1.0mA

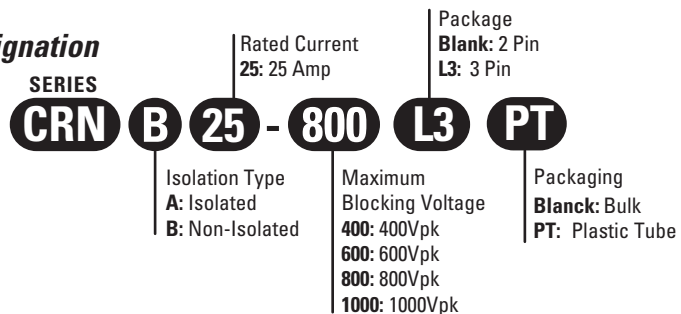
### Thermal Resistances

	SYMBOL	RATING
Junction to Case (AC)	TO-220AB $R_{th(j-c)}$	1.6 °C/W
Junction to Case (AC)	TO-220AB Isolated $R_{th(j-c)}$	2.5 °C/W
Junction to Ambient	TO-220AB $R_{th(j-a)}$	60 °C/W
Junction to Ambient	TO-220AB Isolated $R_{th(j-a)}$	60 °C/W

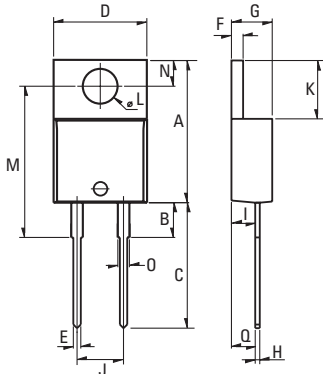
### GENERAL NOTES

1. All parameters at 25 degrees C unless otherwise specified.

### Part Number Designation



### Dimensions 2 Pin Package



Weight: 2.3g (0.08 oz)

REF.	Millimeters			Inches		
	Min.	Typ.	Max.	Min.	Typ.	Max.
A	15.24		15.75	0.6		0.62
B		3.23			0.127	
C	12.78		13.79	0.503		0.543
D	9.96		10.36	0.392		0.408
E	0.69		0.94	0.027		0.037
F	1.22		1.32	0.048		0.052
G	4.62		4.83	0.182		0.19
H	0.46		0.61	0.018		0.024
I	2.49		2.84	0.098		0.112
J	2.39		2.69	0.094		0.106
K	6.48		6.88	0.255		0.271
L	3.78		3.89	0.149		0.153
M	15.49	16	16.51	0.61	0.63	0.65
N	2.59		2.9	0.102		0.114
O	0.99		1.55	0.039		0.061
Q		2.67			0.105	

### Characteristics

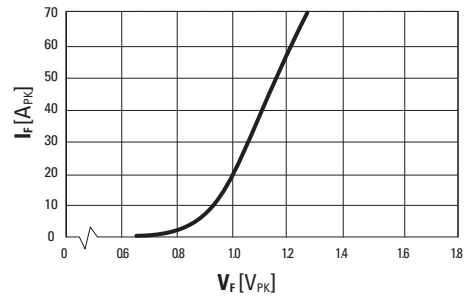


Fig. 1: On-state current versus on-state voltage (instantaneous values)

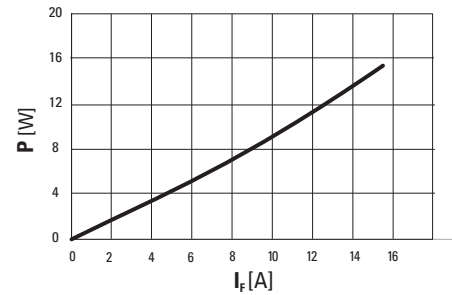


Fig. 3: Power dissipation versus average on-state current

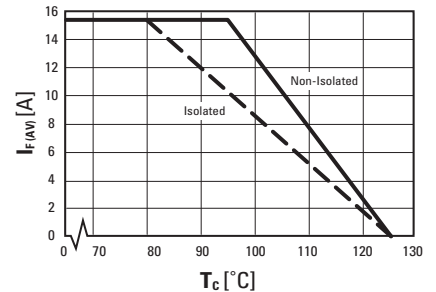


Fig. 2: Average on-state current versus case temperature

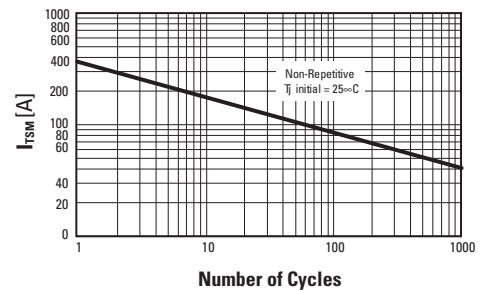
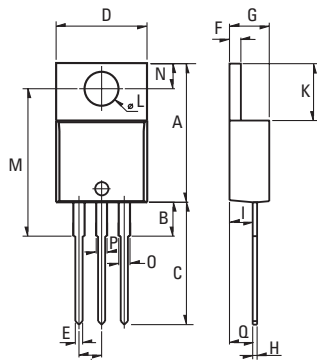


Fig. 4: Non-repetitive surge peak on-state current versus number of cycles.

### Dimensions 3 Pin Package



Weight: 2.3g (0.08 oz)

REF.	Millimeters			Inches		
	Min.	Typ.	Max.	Min.	Typ.	Max.
A	15.24		15.75	0.6		0.62
B		3.23			0.127	
C	12.78		13.79	0.503		0.543
D	9.96		10.36	0.392		0.408
E	0.69		0.94	0.027		0.037
F	1.22		1.32	0.048		0.052
G	4.62		4.83	0.182		0.19
H	0.46		0.61	0.018		0.024
I	2.49		2.84	0.098		0.112
J	2.39		2.69	0.094		0.106
K	6.48		6.88	0.255		0.271
L	3.78		3.89	0.149		0.153
M	15.49	16	16.51	0.61	0.63	0.65
N	2.59		2.9	0.102		0.114
O	0.99		1.55	0.039		0.061
P	0.99		1.55	0.039		0.061
Q		2.67			0.105	

ISO9001 Certified

### Approvals

UL Recognized Component - E72445  
(For CRNA series)

#### USA

Sales Support (877) 502-5500  
Tech Support (877) 702-7700  
Fax (619) 710-8540  
Email: sales@crydom.com  
Crydom Corp  
2320 Paseo de las Americas, Suite 201  
San Diego, CA 92154

#### EUROPE - UK

Telephone +44 (0) 1202 365070  
Fax +44 (0) 1202 365090  
Email: intsales@crydom.com  
Crydom International Ltd.  
7 Cobham Road  
Ferndown Industrial Estate  
Wimborne, Dorset BH21 7PE

#### ASIA - Thailand

Telephone +66 (0)2 665 2517  
Fax +66 (0)2 665 2588  
Crydom Asia  
18/8 Fico Place 12th Floor  
Soi Sukhumvit 21 (Asoke)  
Klongtoey Nua, Wattana  
Bangkok, Thailand 10110

#### Germany

Telephone +49 (0) 180 3000 506