

# Alpha ALS Series VALVE MONITOR

The ALS200M2 series valve monitor is a rotary position indication device. Armed with mechanical switch, this device can sense mechanical position (on/off) of valve for remote PLC or PC indication. The visual indicator on the top of the device can also clearly display the valve position for local detection.

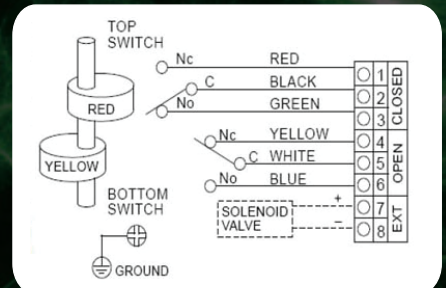


APPROVED BY: IP67 NEMA 4.4X

## SPECIFICATIONS AND TECHNICAL DATA

- **Enclosure:** Die-casting aluminum with dichromate conversion and polyester powder coating: O-ring sealed
- **O-rings:** Buna N
- **Environment:** Type 4, 4X, IP67
- **Area Classification:** Standard
- **Fasteners:** Stainless steel
- **Shaft:** Stainless steel Namur
- **Conduit Entries:**  
Standard M20-1.5 (2 off)  
Or available with 1/2" NPT (2 off),  
Or 1/2" BSPP (2 off)
- **Terminal Strip Contacts:** 8
- **Mounting Bracket:**  
MB - 1.0 :- 30 x 80 x 20  
30 x 80 x 30  
S/Steel as standard. M/Steel option.
- **Temperature Rating:** -20°C to -85°C
- **Sensor (Honeywell):** M2(2SPDT)
- **Operating Voltage:** Max: 5A 125-250 VAC
- **Operating Temp:** -25°C to -85°C

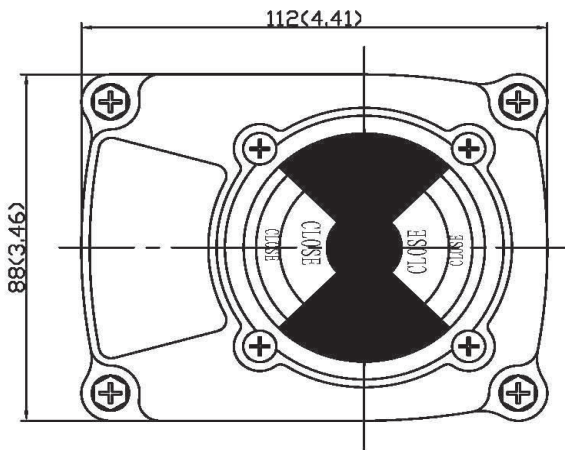
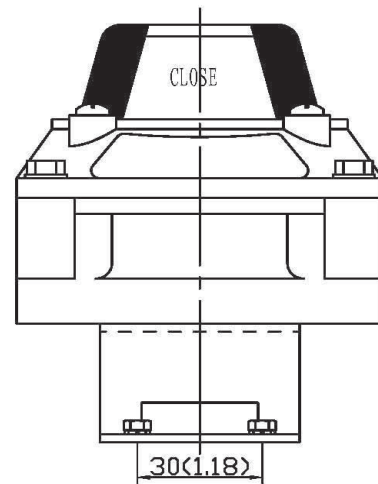
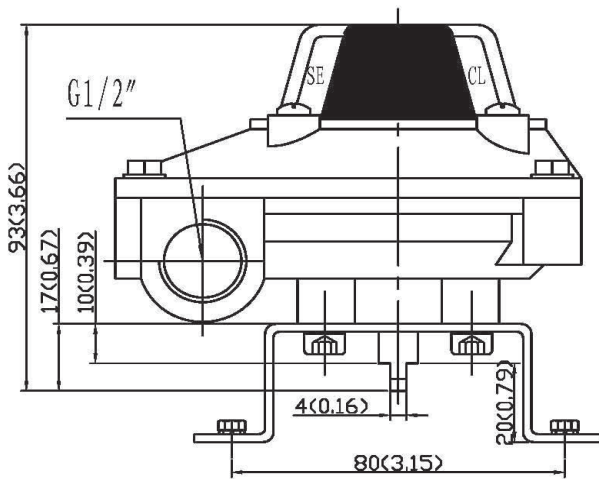
## WIRING DIAGRAM (M2)



**HIGH QUALITY | EXCELLENT PRICE | WHERE QUALITY COUNTS**

Alpha Controls Ltd | Alpha House, 1 Ormside Close, Hindley Industrial Estate, Hindley Green, Wigan. WN2 4HR. | Tel: +44 (0)1942 525833 | E-mail: technicalsales@alphacontrols.co.uk  
www.alphacontrols.co.uk | www.alphacontrolssystem.com

■ **DRAWING & DIMENSION**



**HIGH QUALITY | EXCELLENT PRICE | WHERE QUALITY COUNTS**

Alpha Controls Ltd Alpha House, 1 Ormside Close, Hindley Industrial Estate, Hindley Green, Wigan. WN2 4HR. | Tel: +44 (0)1942 525833 | E-mail: technicalsales@alphacontrols.co.uk  
www.alphacontrols.co.uk | www.alphacontrolssystem.com

